

Collection

Electric | Gas

That's what we did, that's what we do, and keep on doing.

"We started 175 years ago.

Since then, it started to evolve.

We have grown to know fire.

Mastering the elements, building our knowledge, continuously innovating.

The burning desire to push things forward.

We use our knowledge from the past, to look ahead.

We know the elements are shifting.

Storm, whirlwinds and earthquakes made us wiser.

Energy efficiency and mood are key.

Making our products sustainable and future proof.

Turning water into fire.

Using light to set the mood.

The fuel might change but we always keep one thing on our mind.

We tell stories, and we connect people.

That's what we did,

that's what we do,

and that's what we will keep on doing in the future."

Scan



Discover!

Fire by
faber



Faber means **175 years of quality**

The connective and soothing effect of an open fire is our passion. We are always looking for the best and most beautiful solutions, because we want our connoisseurs to enjoy an astonishing flame effect. We strive for the same warmth and urge for quality in our contact with those around us. Our fires have been developed and produced in the Netherlands for devotees all over the world for more than 175 years. Today, Faber is part of the Irish family business Glen Dimplex, market leader in top-quality ambient electric fires. A strong and trusted combination, with a pure origin!

Faber's 'fire makers' are driven to produce the most beautiful ambient fires. Rooted in log fires, leading in gas fires and in the vanguard of fires with new fuels, such as (bio)propane, electricity or a hybrid form. With pure craftsmanship, knowledge and advanced technology, Faber is responsible for discoveries and patents that have become standard in the world of fires today, an for the future. Take our electric e-Matrix models for example, with their low-energy, zero emission fire produced thanks to a unique combination of cold water mist and state-of-the-art LED lighting. Or the Matrix Hybrid fires, in which LED technology enables up to 50% reduction in gas consumption and related heat production. This makes Faber a market leader in the transition to sustainable and future-proof ambient fires. Patented discoveries which are proof that the 'making' of beautiful and responsible ambient fires is in our DNA. And our pride and passion!

In other words: 'making' ambient fires is part of Faber's DNA. And our pride and passion!





Electric

There is **so much** to tell...



Why opt for the e-Matrix?

- No flue-gas pipe required; easy installation anywhere,
- Unique patented three-dimensional "living" fire effect; 100% fire experience,
- Adjustable heat; up to max. 2 kW,
- Simple operation via remote control or the Faber app (supplied standard) for even more options,
- Choice of decoration; log set, white Carrara pebbles or Acrylic ice
- With optional extras including top and/or bottom lighting for an even more realistic fire experience,
- Available in various sizes and as a front, 2 and 3-sided version, Room divider or See-through model,
- Low-energy, 0% emissions, 100% fire effect!

Scan me



Discover!

In other words: The fireplace for any season.



e-Matrix:

Amazing fire... created from water

The burner - fascinating and sustainable

The astonishing flame effect of the e-Matrix is down to a combination of rising cold water mist and low-energy (LED) lights, with no odour or smoke and therefore 100% sustainable. The result is sheer enjoyment: a playful, three-dimensional fire effect that moves up from the softly glowing embers between the logs to the top of the fire. The flame height is fully adjustable. You can even hear the sound of a crackling fire. An ultra-thin flexible water hose and a regular socket are all that's needed for the connection. A unique way of enjoying a 'log' fire, developed and patented by Faber.

Mood lighting - extra ambience, at any moment

Our optional Mood lighting lifts the flames effect of the e-Matrix to a level previously unknown. The newly developed LED light optics of this option provide dynamic lighting, both under the entire ember bed and throughout the interior of the fireplace. The light intensity, movement and even colours can all be adjusted to suit your mood. This option gives a strikingly warmer and even more natural look to the flames and glowing effect, while also enhancing your view of the interior, even without 'flames'. All the options can be quite simply adjusted via your Faber app, to suit your atmosphere, mood or style. Or simply choose one of the preprogrammed settings. This option truly enhances the look of your fireplace, and really should be a part of your experience. Available for all e-Matrix Fires.



Wonderful heat in front of the fire

Are you sitting near the fire and you'd like to feel the radiating warmth? No problem! The e-Matrix is fitted with a compact and virtually silent (extra) heating unit. The heating unit is incorporated invisibly in the fire. When you want, a warm air flow comes your way through the glass. A sensation that makes the experience even more complete. This additional heating unit has a capacity of maximum 2 kW and a thermostat function. The fire can be simply controlled using the enclosed remote control or by installing the Faber App. Giving you optimum control of the heat from your fire at all times.





e-Matrix
MOOD

e-Matrix Mood

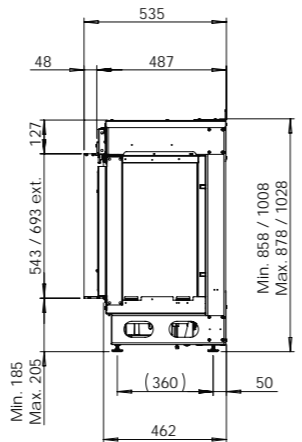
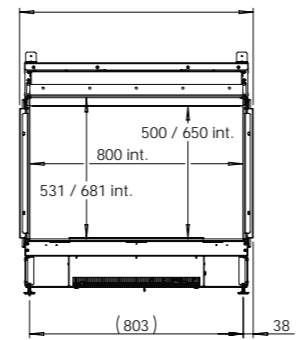
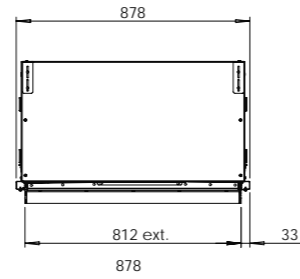
The frameless design, fascinating flames, the broad and lifelike wooden decoration and the embers (option) of the electric e-Matrix Mood all combine to give a superbly rich and full looking fire that is permanently fascinating. A future-proof alternative for an authentic fireplace, with pioneering features: truly three-dimensional flames, safe, low-energy, without gas, emissions or a chimney. The atmosphere is infinitely adjustable thanks to the Faber app or the remote control. And so the e-Matrix Mood can be used and is allowed almost anywhere. Conscious and responsible enjoyment!



DECORATION OPTIONS



Heating functionality:	Yes
Flue material:	-
Watts:	2250 W
Volts:	230-240 V
Water consumption:	0,15 l/h
Water pressure:	0,5-8 Bar
Water connection:	1/2" - 1/4"



Specifications

Exterior dimensions WxHxD in mm
878 x 858 x 535

Fire display WxHxD in mm
800 x 500

System
e-MatriX Burner

Decoration
Log set / White Pebble / Acrylic Ice

Back walls
Back wall smooth steel

Remote
Via app and Bluetooth remote

Power
2,0 kW

Operating system
-

Energy label
-

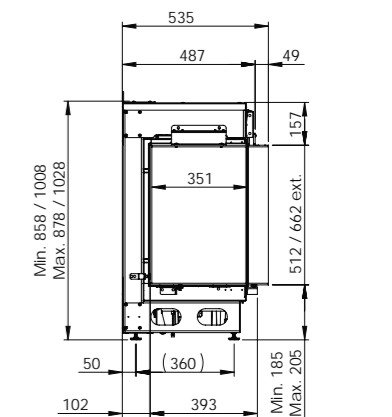
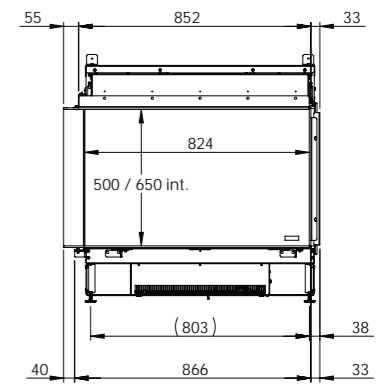
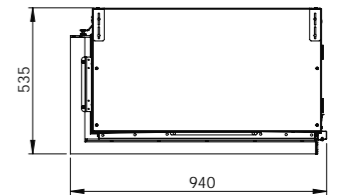
- Options (at a surcharge)**
- Top Light
 - Bottom Light
 - Non-reflective glass
 - Black glass back wall
 - Wall bracket
 - Water pump



DECORATION OPTIONS



Heating functionality:	Yes
Flue material:	-
Watts:	2250 W
Volts:	230-240 V
Water consumption:	0,15 l/h
Water pressure:	0,5-8 Bar
Water connection:	1/2" - 1/4"



Specifications

Exterior dimensions WxHxD in mm
940 x 858 x 535

Fire display WxHxD in mm
824 x 500 x 351

System
e-MatriX Burner

Decoration
Log set / White Pebble / Acrylic Ice

Back walls
Back wall smooth steel

Remote
Via app and Bluetooth remote

Power
2,0 kW

Operating system
-

Energy label
-

- Options (at a surcharge)**
- Top Light
 - Bottom Light
 - Non-reflective glass
 - Black glass back wall
 - Wall bracket
 - Water pump





Specifications

Exterior dimensions WxHxD in mm
1001 x 858 x 535

Fire display WxHxD in mm
847 x 500 x 351

System
e-MatriX Burner

Decoration
Log set / White Pebble / Acrylic Ice

Back walls
Back wall smooth steel

Remote
Via app and Bluetooth remote

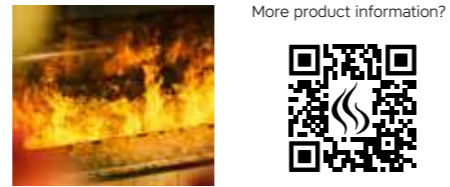
Power
2,0 kW

Operating system
-

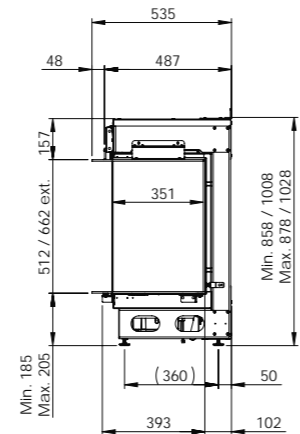
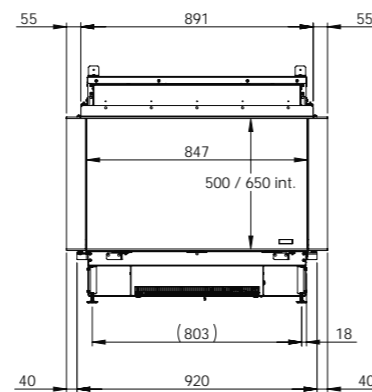
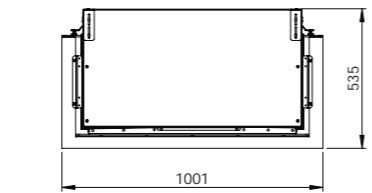
Energy label
-

Options (at a surcharge)
Top Light
Bottom Light
Non-reflective glass
Black glass back wall
Wall bracket
Water pump

DECORATION OPTIONS



Heating functionality:	Yes
Flue material:	-
Watts:	2250 W
Volts:	230-240 V
Water consumption:	0,15 l/h
Water pressure:	0,5-8 Bar
Water connection:	1/2" - 1/4"



Specifications

Exterior dimensions WxHxD in mm
1012 x 870 x 553

Fire display WxHxD in mm
820 x 500 x 396

System
e-MatriX Burner

Decoration
Log set / White Pebble / Acrylic Ice

Back walls
Back wall smooth steel

Remote
Via app and Bluetooth remote

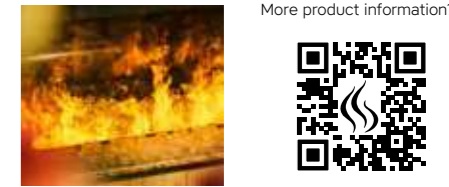
Power
2,0 kW

Operating system
-

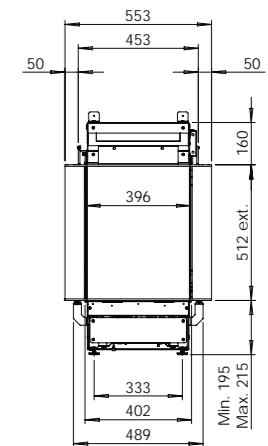
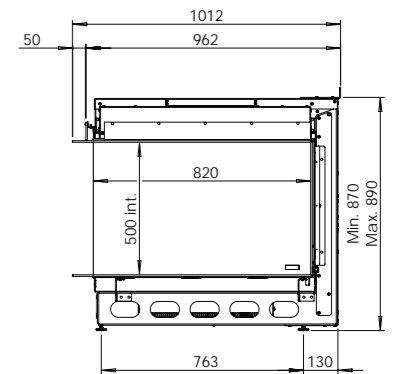
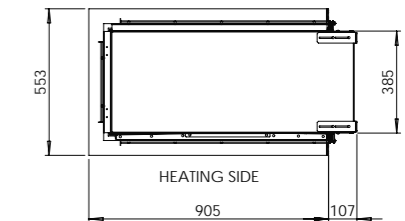
Energy label
-

Options (at a surcharge)
Top Light
Bottom Light
Non-reflective glass
Black glass back wall
Water pump

DECORATION OPTIONS



Heating functionality:	Yes
Flue material:	-
Watts:	2250 W
Volts:	230-240 V
Water consumption:	0,15 l/h
Water pressure:	0,5-8 Bar
Water connection:	1/2" - 1/4"

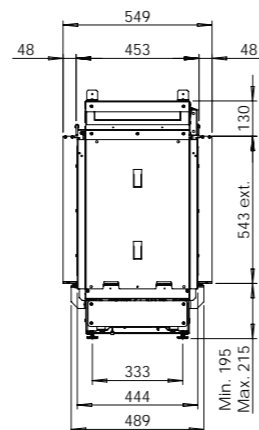
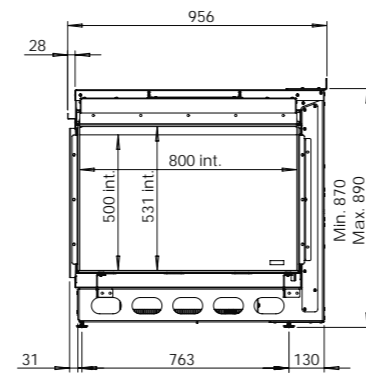
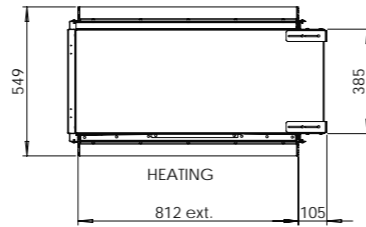




DECORATION OPTIONS



Heating functionality:	Yes
Flue material:	-
Watts:	2250 W
Volts:	230-240 V
Water consumption:	0,15 l/h
Water pressure:	0,5-8 Bar
Water connection:	1/2" - 1/4"



Specifications

Exterior dimensions WxHxD in mm
956 x 870 x 549

Fire display WxHxD in mm
800 x 500

System
e-MatriX Burner

Decoration
Log set / White Pebble / Acrylic Ice

Back walls
Back wall smooth steel

Remote
Via app and Bluetooth remote

Power
2,0 kW

Operating system
-

Energy label
-

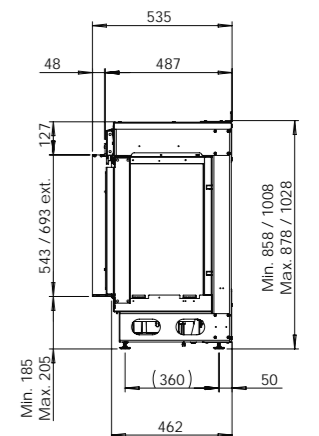
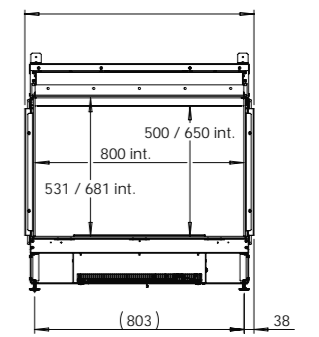
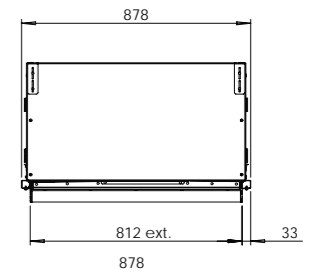
Options (at a surcharge)
Top Light
Bottom Light
Non-reflective glass
Black glass back wall
Water pump



DECORATION OPTIONS



Heating functionality:	Yes
Flue material:	-
Watts:	2250 W
Volts:	230-240 V
Water consumption:	0,15 l/h
Water pressure:	0,5-8 Bar
Water connection:	1/2" - 3/4" Inch



Specifications

Exterior dimensions WxHxD in mm
878 x 1008 x 535

Fire display WxHxD in mm
800 x 650

System
e-MatriX Burner

Decoration
Log set / White Pebble / Acrylic Ice

Back walls
Back wall smooth steel

Remote
Via app and Bluetooth remote

Power
2,0 kW

Operating system
-

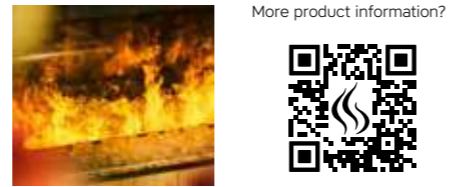
Energy label
-

Options (at a surcharge)
Top Light
Bottom Light
Non-reflective glass
Black glass back wall
Wall bracket
Water pump

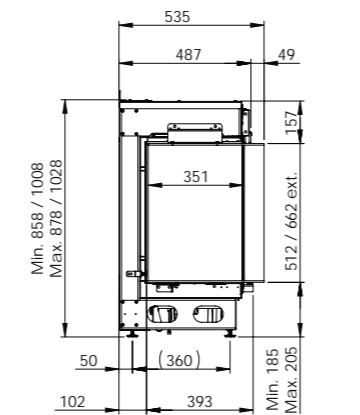
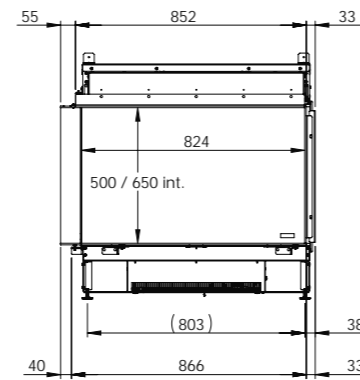
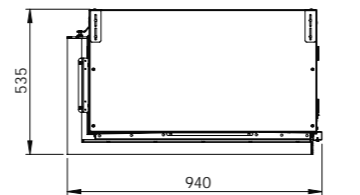




DECORATION OPTIONS



Heating functionality:	Yes
Flue material:	-
Watts:	2250 W
Volts:	230-240 V
Water consumption:	0,15 l/h
Water pressure:	0,5-8 Bar
Water connection:	1/2" - 3/4" Inch



Specifications

Exterior dimensions WxHxD in mm
940 x 1008 x 535

Fire display WxHxD in mm
824 x 650 x 351

System
e-MatriX Burner

Decoration
Log set / White Pebble / Acrylic Ice

Back walls
Back wall smooth steel

Remote
Via app and Bluetooth remote

Power
2,0 kW

Operating system
-

Energy label
-

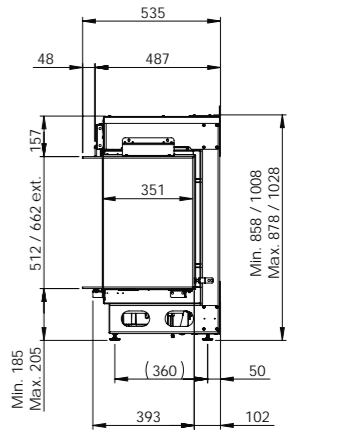
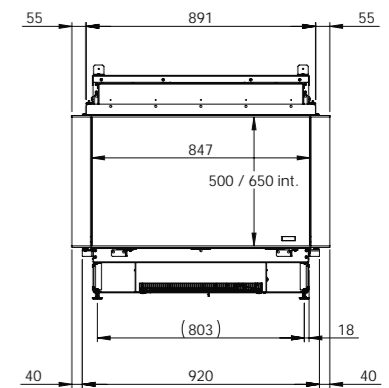
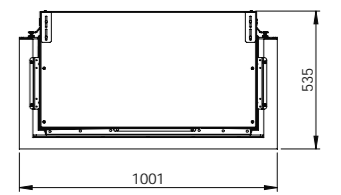
Options (at a surcharge)
Top Light
Bottom Light
Non-reflective glass
Black glass back wall
Wall bracket
Water pump



DECORATION OPTIONS



Heating functionality:	Yes
Flue material:	-
Watts:	2250 W
Volts:	230-240 V
Water consumption:	0,15 l/h
Water pressure:	0,5-8 Bar
Water connection:	1/2" - 3/4" Inch



Specifications

Exterior dimensions WxHxD in mm
1001 x 1008 x 535

Fire display WxHxD in mm
847 x 650 x 351

System
e-MatriX Burner

Decoration
Log set / White Pebble / Acrylic Ice

Back walls
Back wall smooth steel

Remote
Via app and Bluetooth remote

Power
2,0 kW

Operating system
-

Energy label
-

Options (at a surcharge)
Top Light
Bottom Light
Non-reflective glass
Black glass back wall
Wall bracket
Water pump





e-Matrix Linear

The low and stretched design of our Linear fires provides a surprisingly stylish way of showcasing the unique flames, decoration and glowing embers (option). Or would a stone or crystal fireplace decoration better suit your interior? Those are also options! The modern design, along with the lack of a chimney and gas connection offer unique freedom for striking yet at the same time sustainable interior design.



Specifications

Exterior dimensions WxHxD in mm
1128 x 755 x 537

Fire display WxHxD in mm
1050 x 400

System
e-MatriX Burner

Decoration
Log set / White Pebble / Acrylic Ice

Back walls
Back wall smooth steel

Remote
Via app and Bluetooth remote

Power
2,0 kW

Operating system
-

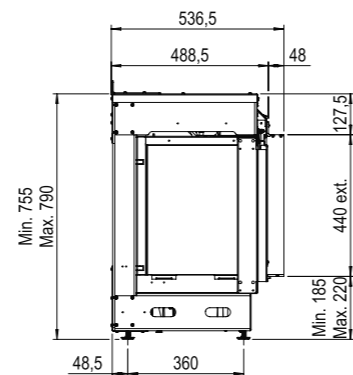
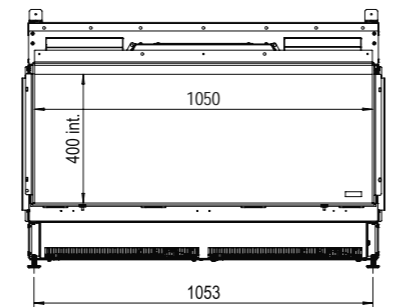
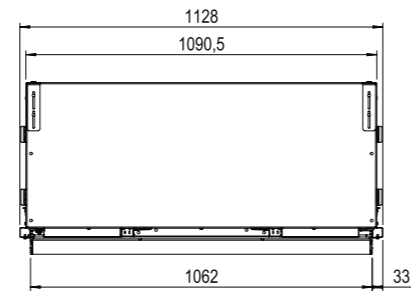
Energy label
-

Options (at a surcharge)
Top Light
Bottom Light
Non-reflective glass
Black glass back wall
Wall bracket
Water pump

DECORATION OPTIONS



Heating functionality:	Yes
Flue material:	-
Watts:	2470 W
Volts:	230-240 V
Water consumption:	0,3 l/h
Water pressure:	0,5-8 Bar
Water connection:	1/2" - 1/4"



Specifications

Exterior dimensions WxHxD in mm
1190 x 755 x 537

Fire display WxHxD in mm
1074 x 400 x 351

System
e-MatriX Burner

Decoration
Log set / White Pebble / Acrylic Ice

Back walls
Back wall smooth steel

Remote
Via app and Bluetooth remote

Power
2,0 kW

Operating system
-

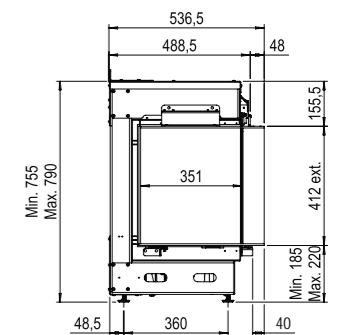
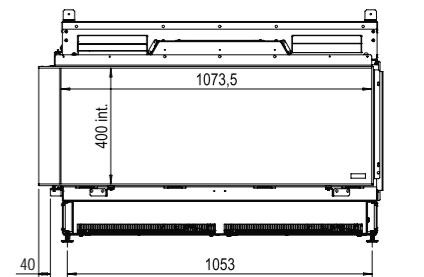
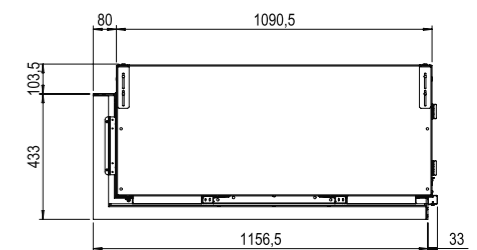
Energy label
-

Options (at a surcharge)
Top Light
Bottom Light
Non-reflective glass
Black glass back wall
Wall bracket
Water pump

DECORATION OPTIONS

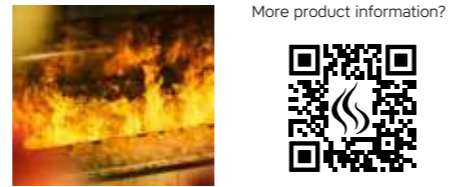


Heating functionality:	Yes
Flue material:	-
Watts:	2470 W
Volts:	230-240 V
Water consumption:	0,3 l/h
Water pressure:	0,5-8 Bar
Water connection:	1/2" - 1/4"





DECORATION OPTIONS



Heating functionality:	Yes
Flue material:	-
Watts:	2470 W
Volts:	230-240 V
Water consumption:	0,3 l/h
Water pressure:	0,5-8 Bar
Water connection:	1/2" - 1/4"

Specifications

Exterior dimensions WxHxD in mm
1251 x 755 x 537

Fire display WxHxD in mm
1097 x 400 x 351

System
e-MatriX Burner

Decoration
Log set / White Pebble / Acrylic Ice

Back walls
Back wall smooth steel

Remote
Via app and Bluetooth remote

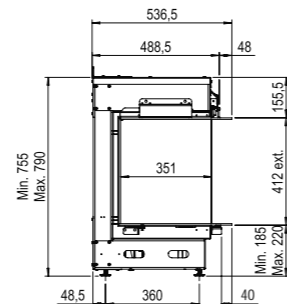
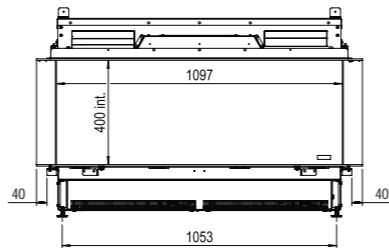
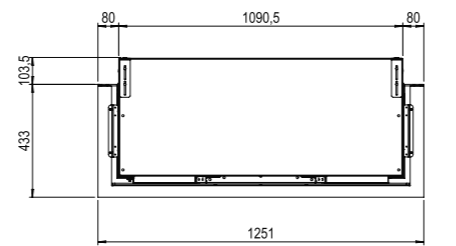
Power
2,0 kW

Operating system
-

Energy label
-

Options (at a surcharge)

- Top Light
- Bottom Light
- Non-reflective glass
- Black glass back wall
- Wall bracket
- Water pump



DECORATION OPTIONS



Heating functionality:	Yes
Flue material:	-
Watts:	2470 W
Volts:	230-240 V
Water consumption:	0,3 l/h
Water pressure:	0,5-8 Bar
Water connection:	1/2" - 1/4"

Specifications

Exterior dimensions WxHxD in mm
1378 x 755 x 537

Fire display WxHxD in mm
1300 x 400

System
e-MatriX Burner

Decoration
Log set / White Pebble / Acrylic Ice

Back walls
Back wall smooth steel

Remote
Via app and Bluetooth remote

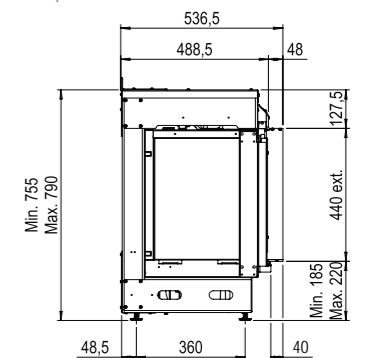
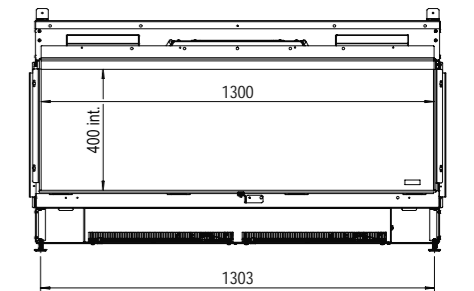
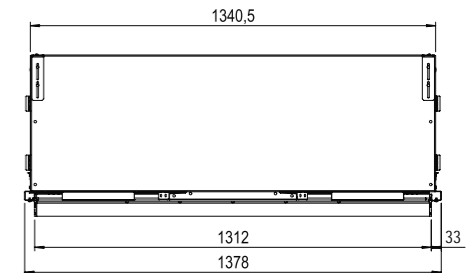
Power
2,0 kW

Operating system
-

Energy label
-

Options (at a surcharge)

- Top Light
- Bottom Light
- Non-reflective glass
- Black glass back wall
- Wall bracket
- Water pump





DECORATION OPTIONS



Heating functionality:	Yes
Flue material:	-
Watts:	2470 W
Volts:	230-240 V
Water consumption:	0,3 l/h
Water pressure:	0,5-8 Bar
Water connection:	1/2" - 1/4"



DECORATION OPTIONS



Heating functionality:	Yes
Flue material:	-
Watts:	2470 W
Volts:	230-240 V
Water consumption:	0,3 l/h
Water pressure:	0,5-8 Bar
Water connection:	1/2" - 1/4"



Specifications

Exterior dimensions WxHxD in mm
1440 x 755 x 537

Fire display WxHxD in mm
1324 x 400 x 351

System
e-MatriX Burner

Decoration
Log set / White Pebble / Acrylic Ice

Back walls
Back wall smooth steel

Remote
Via app and Bluetooth remote

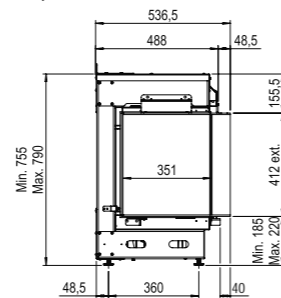
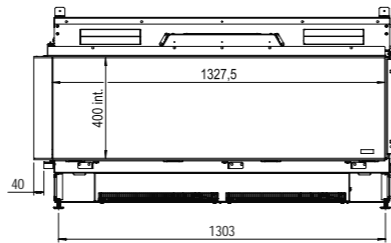
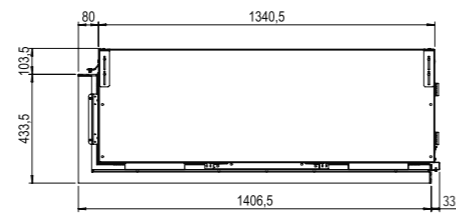
Power
2,0 kW

Operating system
-

Energy label
-

Options (at a surcharge)

- Top Light
- Bottom Light
- Non-reflective glass
- Black glass back wall
- Wall bracket
- Water pump



Specifications

Exterior dimensions WxHxD in mm
1501 x 755 x 537

Fire display WxHxD in mm
1377 x 400 x 351

System
e-MatriX Burner

Decoration
Log set / White Pebble / Acrylic Ice

Back walls
Back wall smooth steel

Remote
Via app and Bluetooth remote

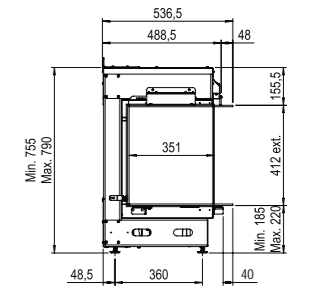
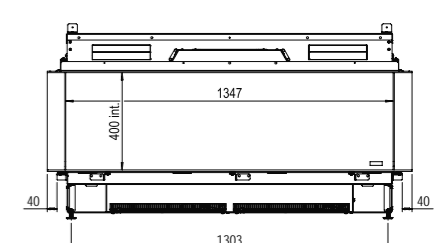
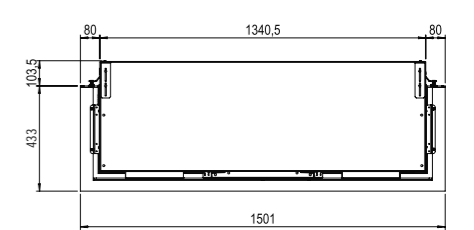
Power
2,0 kW

Operating system
-

Energy label
-

Options (at a surcharge)

- Top Light
- Bottom Light
- Non-reflective glass
- Black glass back wall
- Wall bracket
- Water pump





e-BoX:

... a surprising alternative

The flame effect of the e-BoX built-in fires is once again thanks to a combination of rising cold water mist and special LED lights. A patented flame technology, inspired by the trendsetting e-Matrix series but in a slightly toned down version. The flame effect is convincing with naturally moving 'flames and smoke' that move freely and 100% safely up through the fireplace. Choose from a number of interior decorations. At the same time, the flame effect electricity consumption is comparable with that of room lighting and uses no more than a few litres of tap water a day, making it extremely economical and fully emissionfree. Maintenance is minimal and the controls simply require the push of a button. Additional heating (max. 1kW) is also available for that really snug feeling near the fire.

e-Box Burner - Top quality and unique

Faber is introducing a second electric burner for the e-BoX series, based on the burner of the e-Matrix. The flame effect is produced by the combination of cold-water mist and special LED lights - a patented invention. This unique combination produces a three-dimensional effect that looks convincingly like flames and smoke, swirling up through a decoration of logs, white pebbles or sparkling acrylic crystals. An ultra-thin flexible water hose and a regular socket are all that's needed for the connection. Another water supply option is to use a built-in reservoir and optional 'pump kit'.

Built-in heat

The e-BoX comes standard with a small additional heating unit with a maximum capacity of 1kW that is incorporated invisibly in the fire. The warm airflow is blown into the room through an opening in the pane. The controls are integrated in the remote control. Comfortable and controllable heat.

The e-BoX series makes the choice of electric Faber fires broader than ever before.



e-BoX

The electric Faber e-BoX series has been developed especially for true fire connoisseurs who are looking for a complete and 100% future-proof alternative to an atmospheric gas or wood fire, and who value a good price-quality ratio. The new Faber e-BoX series provides a unique solution for the full enjoyment of a swirling, atmospheric fire, without the traditional limitations that may be associated with a built-in gas or wood fire. For example, limitations because of the living environment (city), apartment blocks, the lack of a connection to the gas grid or a chimney, or because there is no room to build in a fire.



DECORATION OPTIONS



Heating functionality:	Yes
Flue material:	-
Watts:	1400 W
Volts:	230-240 V
Water consumption:	0,3 l/h
Water pressure:	0,5-8 Bar
Water connection:	1/2" - 1/4"



DECORATION OPTIONS



Heating functionality:	Yes
Flue material:	-
Watts:	1400 W
Volts:	230-240 V
Water consumption:	0,3 l/h
Water pressure:	0,5-8 Bar
Water connection:	1/2" - 1/4"



Specifications

Exterior dimensions WxHxD in mm
1140 x 800 x 405

Fire display WxHxD in mm
1032 x 368

System
e-BoX burner

Decoratie
Log set / White Pebble / Acrylic Ice

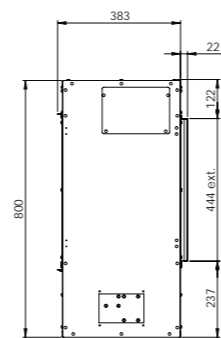
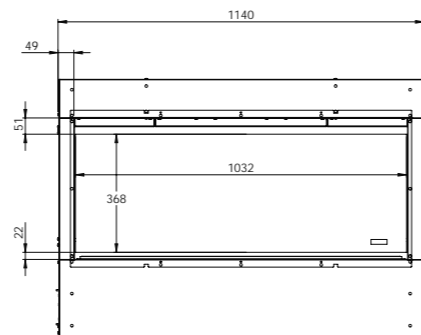
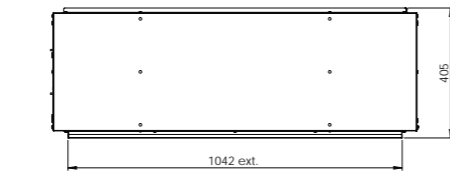
Back walls
Back wall smooth steel

Remote
Bluetooth remote

Power
1,0 kW

Operating system
-

Energy label
-



Specifications

Exterior dimensions WxHxD in mm
1140 x 800 x 412

Fire display WxHxD in mm
1032 x 368

System
e-BoX burner

Decoratie
Log set / White Pebble / Acrylic Ice

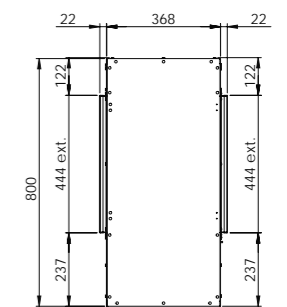
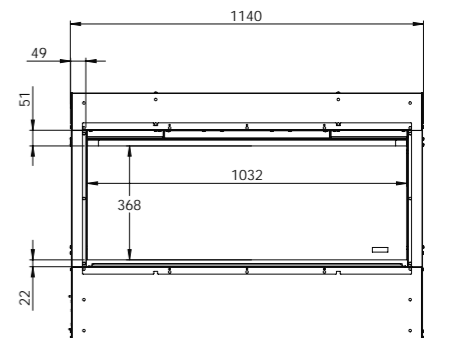
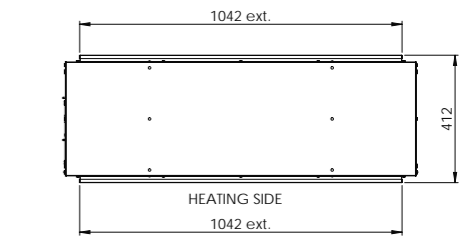
Back walls
Back wall smooth steel

Remote
Bluetooth remote

Power
1,0 kW

Operating system
-

Energy label
-





Gas

There is **so much to tell...**



Matrix
HYBRID

Matrix Hybrid

Our hybrid Matrix ambient fires are electrically supported using LED lighting; comparable with hybrid cars. This low-energy light source has been applied to partially replace the gas flames and to enrich the glowing fire. This unique 'play' between gas and light, known as 'Hybrid Pro Lighting' (HPL) gives rich flames whose intensity and experience beats any standard gas-fired fireplace. What's more, this HPL module can reduce gas consumption, CO2 emissions and heat transfer by more than 50%.

There is **so much to tell...**

Why opt for the MatrixX Hybrid?

- Up to 50% less gas consumption; without sacrificing the natural flame effect,
- The (optional) Hybrid Pro Light module gives even richer flames; even at the lowest setting,
- Horizontal flame effect with equally distributed flames over the entire width of the fire,
- No less than 7 individual burners offer unequalled adjustment possibilities; always the perfect flames for any situation,
- Adjustable heat output from maximum 10 down to a mere 1.5 kW; therefore also ideal for modern, well insulated houses with relatively limited heat requirements,
- Available in various sizes and as a front, 2 and 3-sided version, Room divider or See-through model.

Scan me



Discover!

In other words: A modern and extremely low energy gas fire offering endless possibilities.

There is **so much to tell...**



Matrix Hybrid:

The unique 'play' between gas and light

The burner - The innovative Log Burner® 3.0

The new Log Burner® 3.0 is the latest Faber development, and is truly innovative in efficient, hybrid burner technology. The Log Burner® 3.0 is a newly developed version of our successful Log Burner® 2.0. The burner tubes are no longer straight and round, but rather follow the natural contours of the wood logs. This gives the log set an amazingly realistic look, and the flames flicker in precisely the right place. The fire switching process is phased, distributing the flames accurately among the 7 burners, to give multiple fascinating flame patterns. What's more, this burner is suitable for the LED technology of the (optional) HPL module. This combination results in a uniquely full and lavish fire and ember bed, while reducing gas consumption and heat production by up to 50%! The main functions can be simply operated using the remote control supplied, while the Faber app offers extra operating functions.

Hybrid Pro Light Module

The Hybrid Pro Light module is our breakthrough in terms of glowing effects. With the HPL module, in addition to the glow bed, the logs are also provided with a natural glow for an even more intensive fire image. The Hybrid Pro Light module is a further development of our successful Symbio® glow bed lighting module. Thanks to this ingenious system of LED light projection, Faber's Vuurmakers have succeeded in creating an unprecedentedly fascinating overall image of flames, twinkling logs and coals at a very low heat setting. As if you are looking directly into a fully burning fire, but with half the gas consumption and the corresponding heat production!

Perfect cosiness, even at the lowest setting.

Reducing gas consumption boosts sustainability and more and more houses are effectively insulated and equipped with efficient heating systems. That affects the function of gas fireplaces. They are no longer simply essential for heating purposes, but all the more for creating a cosy atmosphere! And that's a good thing, because the Faber hybrid gas fireplaces were designed specially to give rich flames with the least possible gas consumption and limited heat production. In fact: thanks to the HPL module, these fireplaces give perfect cosiness even without the use of the gas flames!



DECORATION OPTIONS

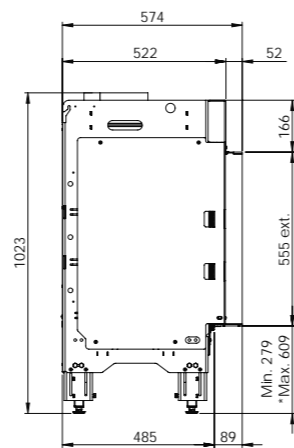
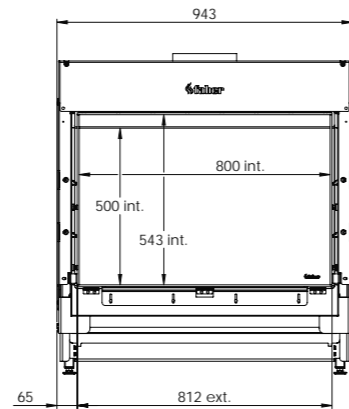
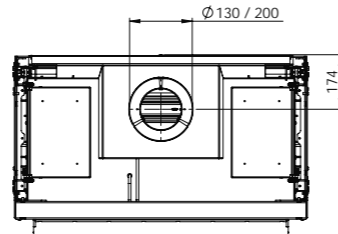


HPL module

More product information?



Flue material
130/200



* Incl. optional adjustable feet



DECORATION OPTIONS

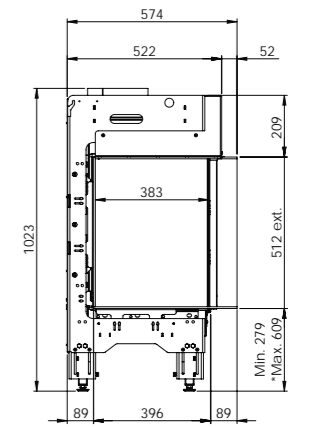
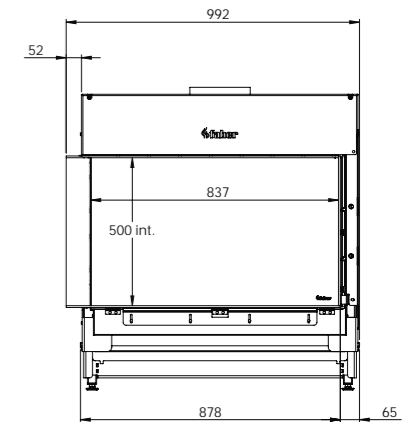
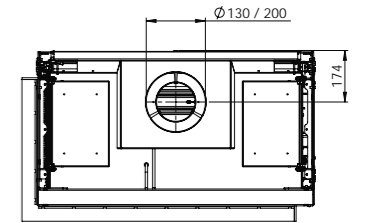


HPL module

More product information?



Flue material
130/200



* Incl. optional adjustable feet

Specifications

Exterior dimensions WxHxD in mm
943 x 1023 x 574

Fire display WxHxD in mm
800 x 500

System
Log Burner 3.0

Decoration
Log set

Back walls
Back wall smooth steel

Remote
Via app and ITC Remote

Power
10,1 kW

Operating system
Honeywell

Energy label
B

Options (at a surcharge)
HPL Module
Non-reflective glass
Black glass back wall
Inset depth 30 mm
Inset depth 100 mm
Adjustable feet
Wall bracket



Specifications

Exterior dimensions WxHxD in mm
992 x 1023 x 574

Fire display WxHxD in mm
837 x 500 x 383

System
Log Burner 3.0

Decoration
Log set

Back walls
Back wall smooth steel

Remote
Via app and ITC Remote

Power
10,1 kW

Operating system
Honeywell

Energy label
B

Options (at a surcharge)
HPL Module
Non-reflective glass
Black glass back wall
Inset depth 30 mm
Inset depth 100 mm
Adjustable feet
Wall bracket



Specifications

Exterior dimensions WxHxD in mm
1040 x 1023 x 574

Fire display WxHxD in mm
872 x 500 x 383

System
Log Burner 3.0

Decoration
Log set

Back walls
Back wall smooth steel

Remote
Via app and ITC Remote

Power
10,1 kW

Operating system
Honeywell

Energy label
B

Options (at a surcharge)
HPL Module
Non-reflective glass
Black glass back wall
Inset depth 30 mm
Inset depth 100 mm
Adjustable feet
Wall bracket

DECORATION OPTIONS

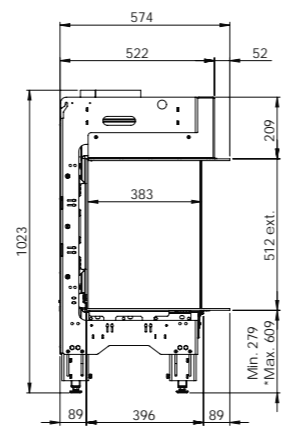
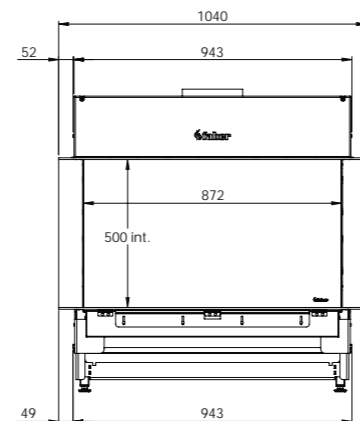
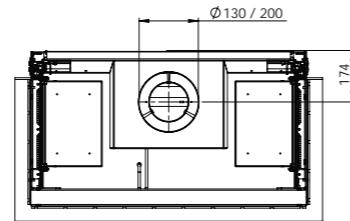


HPL module

More product information?



Flue material
130/200



* Incl. optional adjustable feet



Specifications

Exterior dimensions WxHxD in mm
1354 x 1057 x 598

Fire display WxHxD in mm
850 x 500 x 400

System
Log Burner 3.0

Decoration
Log set

Back walls
Back wall smooth steel

Remote
Via app and ITC Remote

Power
10,7 kW

Operating system
Honeywell

Energy label
B

Options (at a surcharge)
HPL Module
Non-reflective glass
Black glass back wall
Adjustable feet

DECORATION OPTIONS

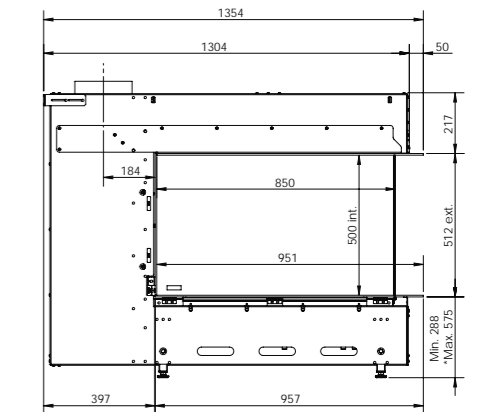
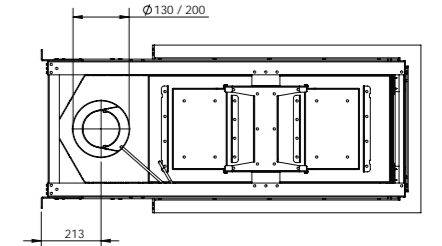


HPL module

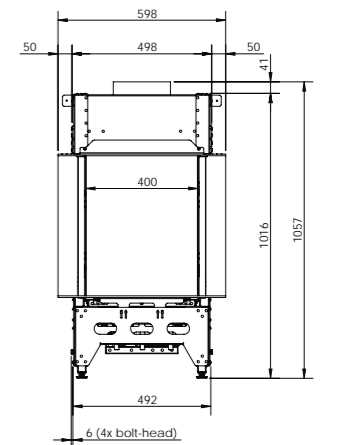
More product information?

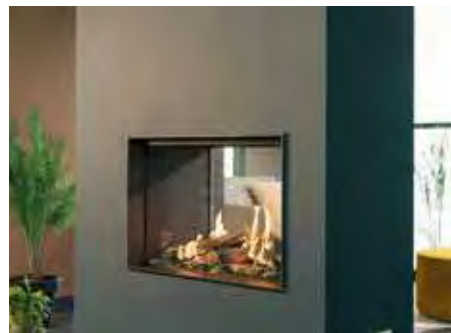


Flue material
130/200



* Incl. optional adjustable feet





Specifications

Exterior dimensions WxHxD in mm
1301 x 1057 x 598

Fire display WxHxD in mm
821 x 500

System
Log Burner 3.0

Decoration
Log set

Back walls
Back wall smooth steel

Remote
Via app and ITC Remote

Power
10,7 kW

Operating system
Honeywell

Energy label
B

Options (at a surcharge)
HPL Module
Non-reflective glass
Black glass back wall
Adjustable feet

DECORATION OPTIONS

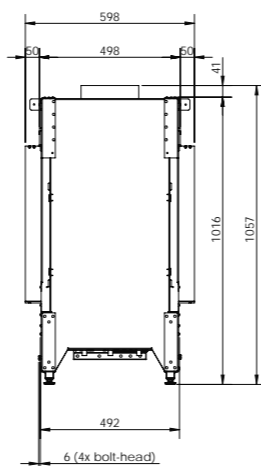
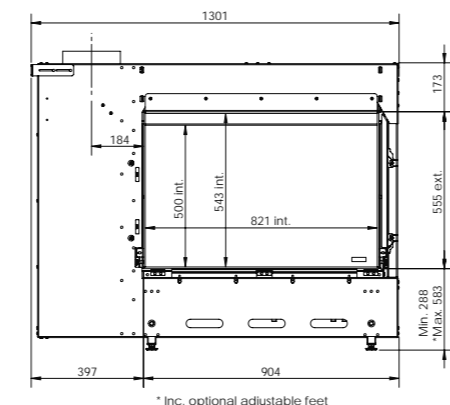
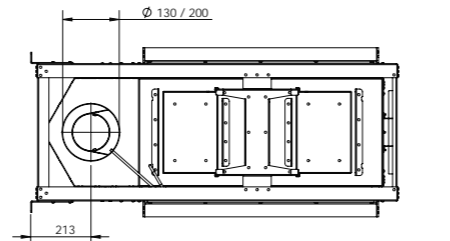


HPL module

More product information?



Flue material
130/200



DECORATION OPTIONS

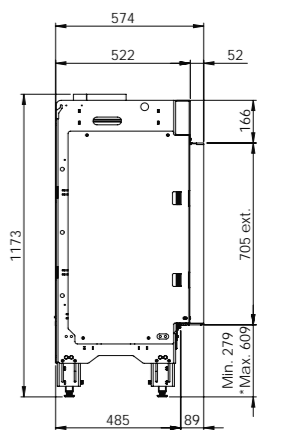
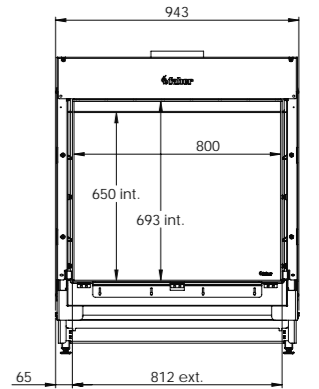
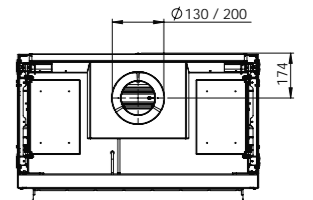


HPL module

More product information?



Flue material
130/200



* Incl. optional adjustable feet

Specifications

Exterior dimensions WxHxD in mm
943 x 1173 x 574

Fire display WxHxD in mm
800 x 650

System
Log Burner 3.0

Decoration
Log set

Back walls
Back wall smooth steel

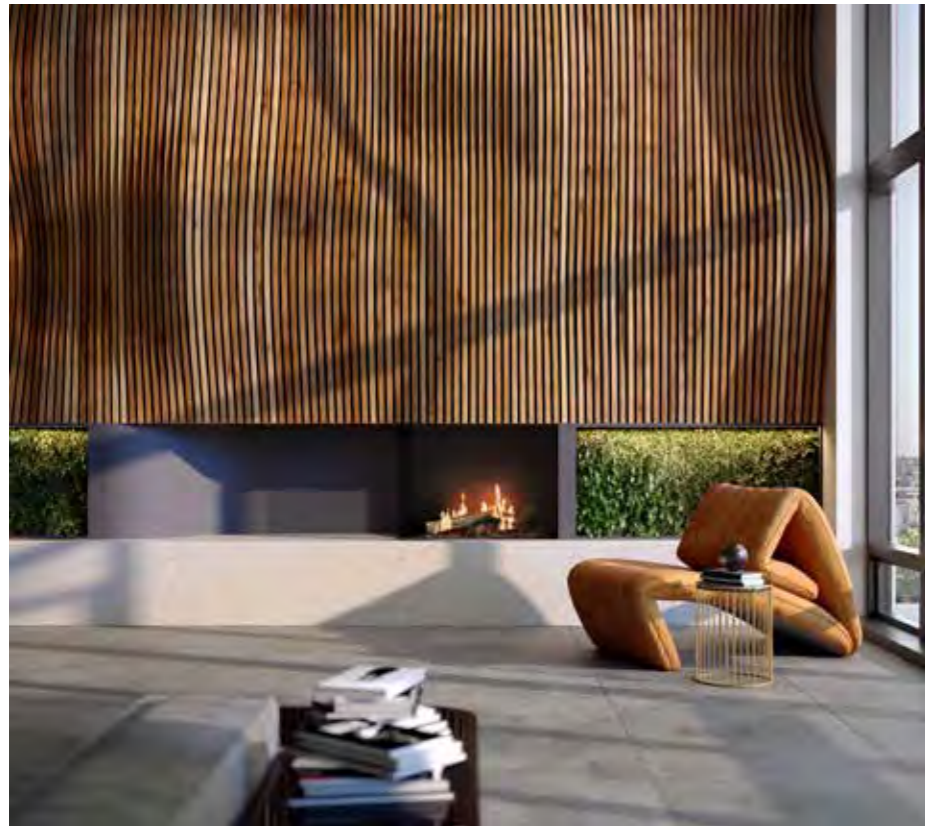
Remote
Via app and ITC Remote

Power
10,3 kW

Operating system
Honeywell

Energy label
B

Options (at a surcharge)
HPL Module
Non-reflective glass
Black glass back wall
Inset depth 30 mm
Inset depth 100 mm
Adjustable feet
Wall bracket



Specifications

Exterior dimensions WxHxD in mm
992 x 1173 x 574

Fire display WxHxD in mm
837 x 650 x 383

System
Log Burner 3.0

Decoration
Log set

Back walls
Back wall smooth steel

Remote
Via app and ITC Remote

Power
10,3 kW

Operating system
Honeywell

Energy label
B

Options (at a surcharge)
HPL Module
Non-reflective glass
Black glass back wall
Inset depth 30 mm
Inset depth 100 mm
Adjustable feet
Wall bracket

DECORATION OPTIONS

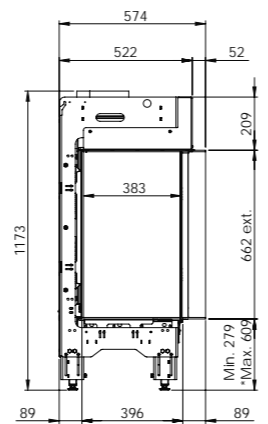
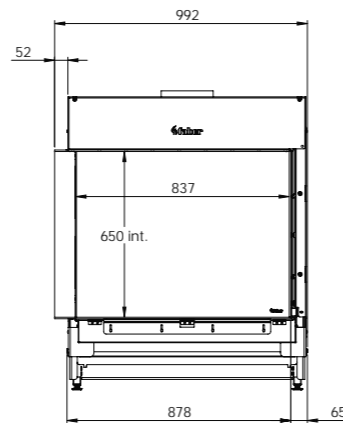
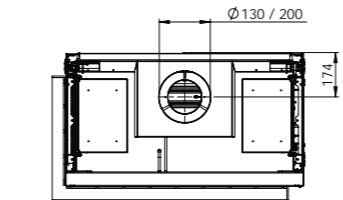


HPL module

More product information?



Flue material
130/200



* Incl. optional adjustable feet



Specifications

Exterior dimensions WxHxD in mm
1040 x 1173 x 574

Fire display WxHxD in mm
872 x 650 x 383

System
Log Burner 3.0

Decoration
Log set

Back walls
Back wall smooth steel

Remote
Via app and ITC Remote

Power
10,3 kW

Operating system
Honeywell

Energy label
B

Options (at a surcharge)
HPL Module
Non-reflective glass
Black glass back wall
Inset depth 30 mm
Inset depth 100 mm
Adjustable feet
Wall bracket

DECORATION OPTIONS

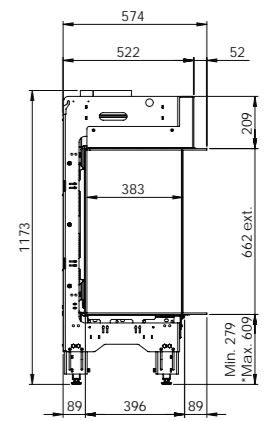
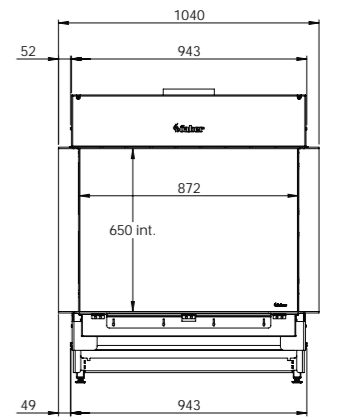
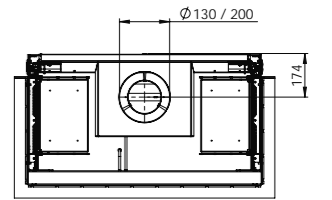


HPL module

More product information?



Flue material
130/200



* Incl. optional adjustable feet

MatriX | 1050/500 I



DECORATION OPTIONS

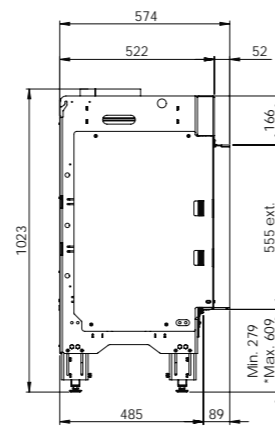
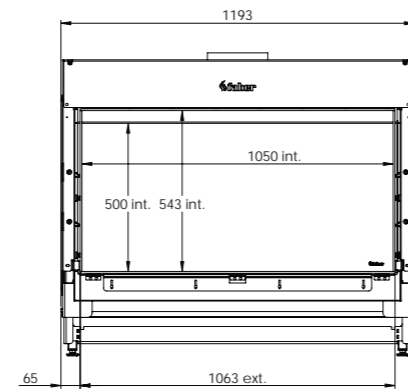
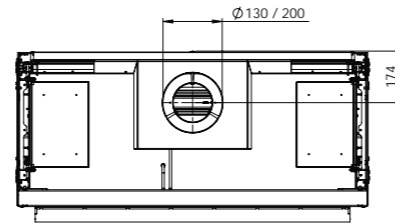


HPL module

More product information?



Flue material
130/200



* Incl. optional adjustable feet



Specifications

Exterior dimensions WxHxD in mm
1193 x 1023 x 574

Fire display WxHxD in mm
1050 x 500

System
Log Burner 3.0

Decoration
Log set

Back walls
Back wall smooth steel

Remote
Via app and ITC Remote

Power
10,0 kW

Operating system
Honeywell

Energy label
B

Options (at a surcharge)
HPL Module
Non-reflective glass
Black glass back wall
Inset depth 30 mm
Inset depth 100 mm
Adjustable feet
Wall bracket



MatriX | 1050/500 II



DECORATION OPTIONS

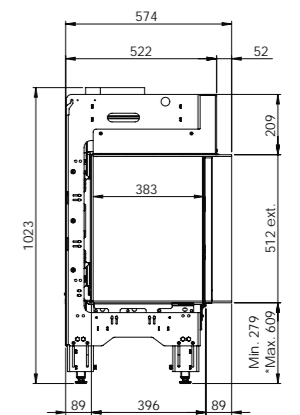
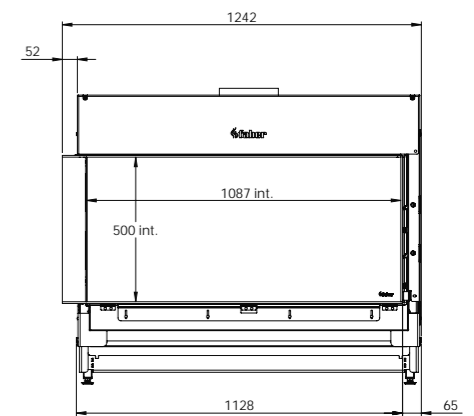
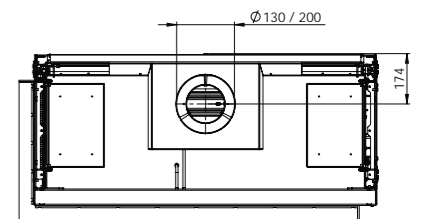


HPL module

More product information?



Flue material
130/200



* Incl. optional adjustable feet



Specifications

Exterior dimensions WxHxD in mm
1242 x 1023 x 574

Fire display WxHxD in mm
1087 x 500 x 383

System
Log Burner 3.0

Decoration
Log set

Back walls
Back wall smooth steel

Remote
Via app and ITC Remote

Power
10,0 kW

Operating system
Honeywell

Energy label
B

Options (at a surcharge)
HPL Module
Non-reflective glass
Black glass back wall
Inset depth 30 mm
Inset depth 100 mm
Adjustable feet
Wall bracket



MatriX | 1050/500 III



Specifications

Exterior dimensions WxHxD in mm
1290 x 1023 x 574

Fire display WxHxD in mm
1122 x 500 x 383

System
Log Burner 3.0

Decoration
Log set

Back walls
Back wall smooth steel

Remote
Via app and ITC Remote

Power
10,0 kW

Operating system
Honeywell

Energy label
B

Options (at a surcharge)
HPL Module
Non-reflective glass
Black glass back wall
Inset depth 30 mm
Inset depth 100 mm
Adjustable feet
Wall bracket

DECORATION OPTIONS

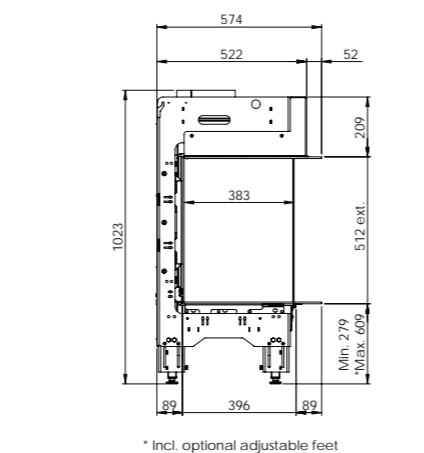
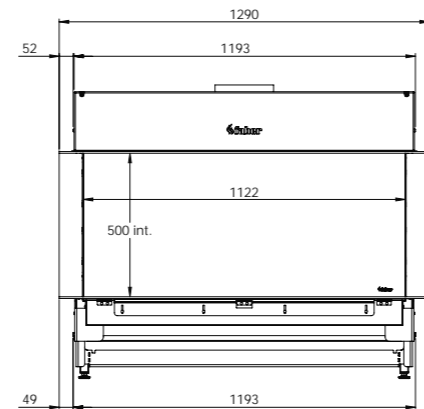
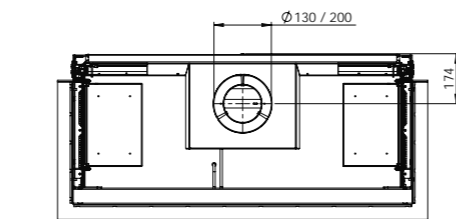


HPL module

More product information?



Flue material
130/200



* Incl. optional adjustable feet

MatriX | 1050/500 RD



Specifications

Exterior dimensions WxHxD in mm
1604 x 1057 x 598

Fire display WxHxD in mm
1100 x 500 x 400

System
Log Burner 3.0

Decoration
Log set

Back walls
Back wall smooth steel

Remote
Via app and ITC Remote

Power
10,7 kW

Operating system
Honeywell

Energy label
B

Options (at a surcharge)
HPL Module
Non-reflective glass
Black glass back wall
Adjustable feet

DECORATION OPTIONS

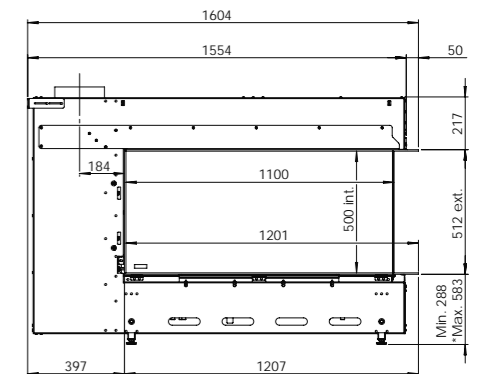
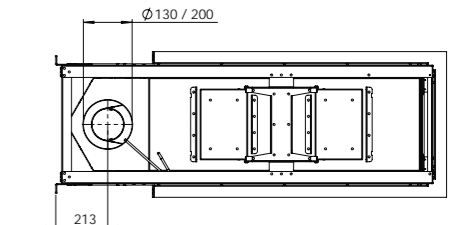


HPL module

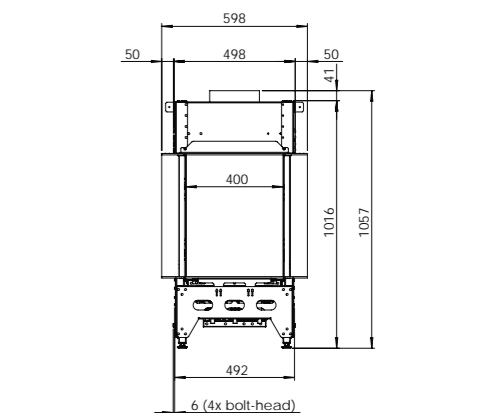
More product information?



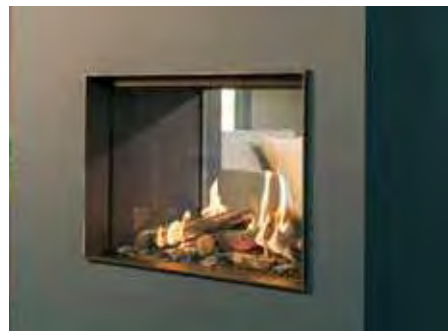
Flue material
130/200



* Incl. optional adjustable feet



MatriX | 1050/500 ST



Specifications

Exterior dimensions WxHxD in mm
1551 x 1057 x 598

Fire display WxHxD in mm
1071 x 500

System
Log Burner 3.0

Decoration
Log set

Back walls
Back wall smooth steel

Remote
Via app and ITC Remote

Power
10,7 kW

Operating system
Honeywell

Energy label
B

Options (at a surcharge)
HPL Module
Non-reflective glass
Black glass back wall
Adjustable feet

DECORATION OPTIONS

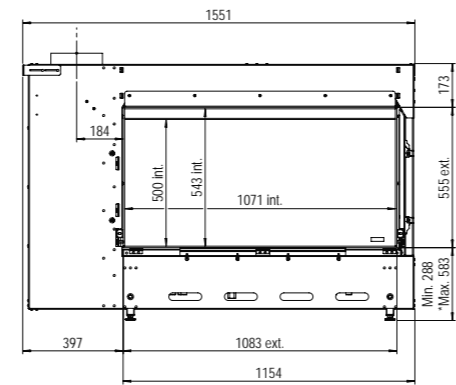
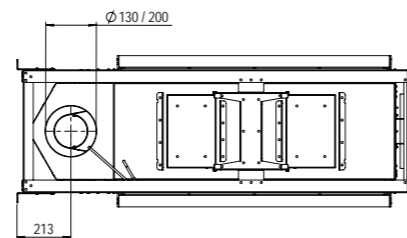


HPL module

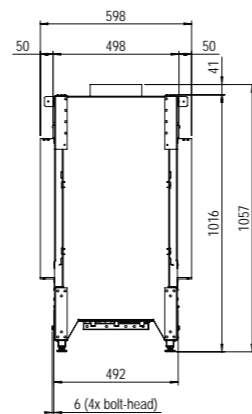
More product information?



Flue material
130/200



* Incl. optional adjustable feet



MatriX | 1050/650 I



Specifications

Exterior dimensions WxHxD in mm
1193 x 1173 x 574

Fire display WxHxD in mm
1050 x 650

System
Log Burner 3.0

Decoration
Log set

Back walls
Back wall smooth steel

Remote
Via app and ITC Remote

Power
10,1 kW

Operating system
Honeywell

Energy label
B

Options (at a surcharge)
HPL Module
Non-reflective glass
Black glass back wall
Inset depth 30 mm
Inset depth 100 mm
Adjustable feet
Wall bracket

DECORATION OPTIONS

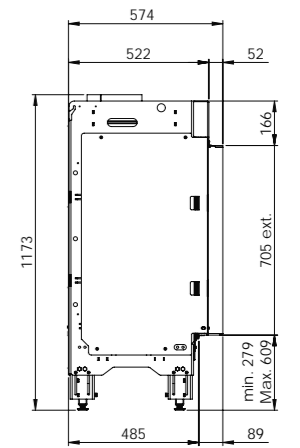
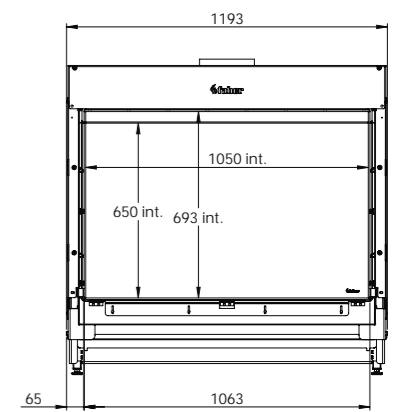
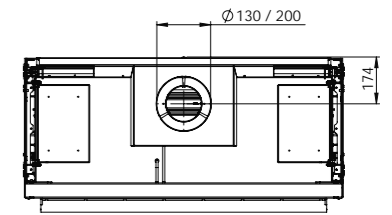


HPL module

More product information?



Flue material
130/200



* Incl. optional adjustable feet

MatriX | 1050/650 II



DECORATION OPTIONS

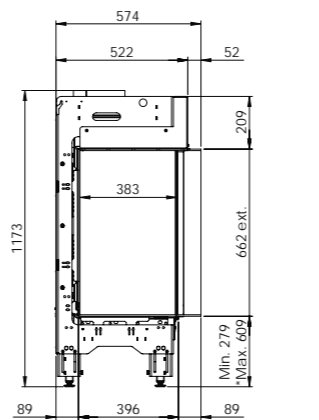
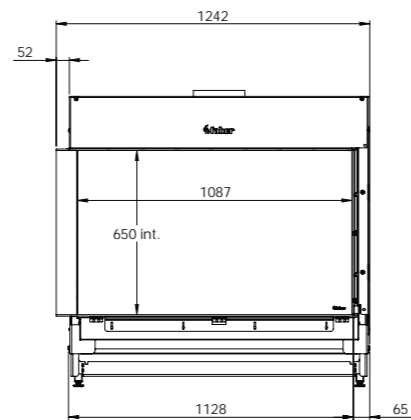
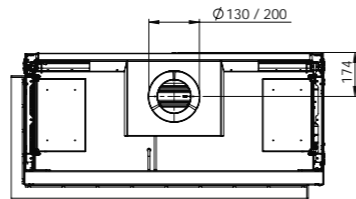


HPL module

More product information?



Flue material
130/200



* Incl. optional adjustable feet

MatriX | 1050/650 III



DECORATION OPTIONS

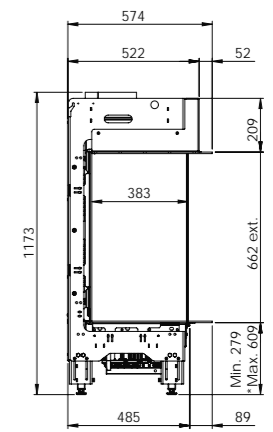
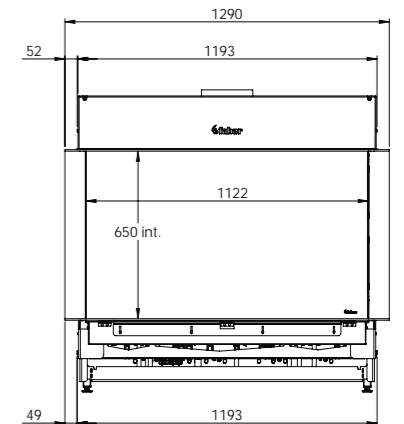
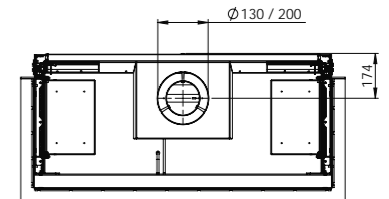


HPL module

More product information?



Flue material
130/200



* Incl. optional adjustable feet

Specifications

Exterior dimensions WxHxD in mm
1242 x 1173 x 574

Fire display WxHxD in mm
1087 x 650 x 383

System
Log Burner 3.0

Decoration
Log set

Back walls
Back wall smooth steel

Remote
Via app and ITC Remote

Power
10,1 kW

Operating system
Honeywell

Energy label
B

Options (at a surcharge)
HPL Module
Non-reflective glass
Black glass back wall
Inset depth 30 mm
Inset depth 100 mm
Adjustable feet
Wall bracket



Specifications

Exterior dimensions WxHxD in mm
1290 x 1173 x 574

Fire display WxHxD in mm
1122 x 650 x 383

System
Log Burner 3.0

Decoration
Log set

Back walls
Back wall smooth steel

Remote
Via app and ITC Remote

Power
10,1 kW

Operating system
Honeywell

Energy label
B

Options (at a surcharge)
HPL Module
Non-reflective glass
Black glass back wall
Inset depth 30 mm
Inset depth 100 mm
Adjustable feet
Wall bracket



Matrix
LINEAR



Matrix Linear

Our Linear Fire models offer a lavish fire effect over almost the full width of the fire and that is true for every flame height. Even with a minimum heat output, the flames of this model look fabulous. There is a choice of three inset widths, each of them in three versions and with various interior decorations.



Why opt for the MatrixX Linear?

- Extra wide and low gas fire; up to 130 cm of flames!
- Double row of individually adjustable burners; for more intensive flames and added heat output,
- Choice of luxury ceramic log set or white Carrara pebbles for an extra modern and luxurious look;
- Adjustable heat output; from maximum 10 to minimum 4 KW.
- Available in various sizes and as front, 2 and 3-sided models.

Scan me



Discover!

In other words: an impressively sized fire with fantastic flames.

Matrix Linear:

The ultimate panoramic gas fire

Our Linear Fire models offer a lavish fire effect over almost the full width of the fire and that is true for every flame height. Even with a minimum heat output, the flames of this model look fabulous. There is a choice of three inset widths, each of them in three versions and with various interior decorations.

The burner - Faber Double Line Burner

The fire of the Double Line Burner burns with regular and particularly full flames across the entire width of the fire. You can have the fire burn just at the front (single row) or at the back too (double row), for a full fire effect and extra heat. The fire starts up in just a few seconds and the height of the flames can be set with accuracy.

Lavish flames with plenty of choices

There is a choice of three inset widths, each in three versions and with various interior decorations. The Linear Fires combine a popular width and height with a good view of the flames. These versions add considerable extra length, to emphasise the low silhouette of the linear reach, while still enjoying beautiful flames over the entire length of these impressive fires. For decoration there is a choice of beautiful, horizontal logs on an ember bed, or a bed of stylish white Carrara pebbles. The main functions can be simply operated via the remote control supplied, or why not install the Faber App to operate your fire via your smartphone or tablet?





Specifications

Exterior dimensions WxHxD in mm
933 x 827 x 452

Fire display WxHxD in mm
800 x 400

System
Double Line Burner

Decoration
Log set or White Pebble

Back walls
Back wall smooth steel

Remote
Via app and ITC Remote

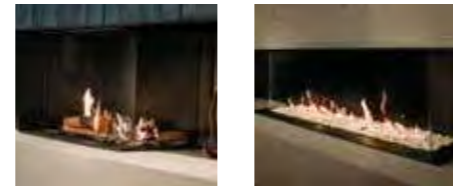
Power
7,1 kW

Operating system
Honeywell

Energy label
B

Options (at a surcharge)
Black glass back wall
Non-reflective glass
Adjustable feet
Wall bracket

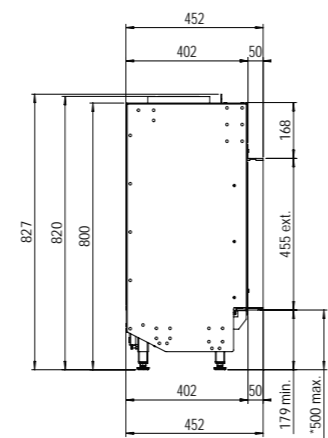
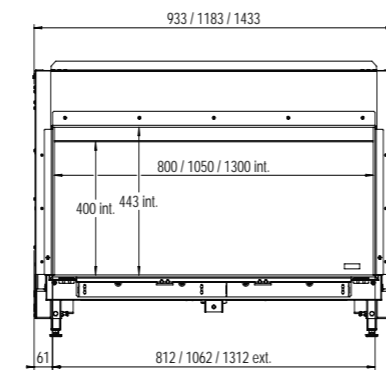
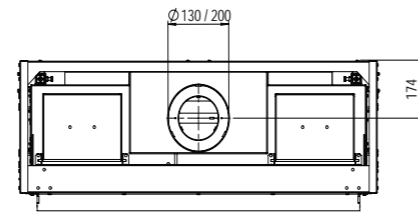
DECORATION OPTIONS



More product information?



Flue material
130/200



* incl. optional adjustable feet



Specifications

Exterior dimensions WxHxD in mm
987 x 827 x 452

Fire display WxHxD in mm
835 x 400 x 257

System
Double Line Burner

Decoration
Log set or White Pebble

Back walls
Back wall smooth steel

Remote
Via app and ITC Remote

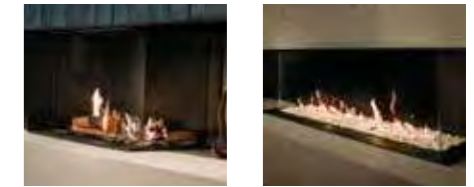
Power
7,1 kW

Operating system
Honeywell

Energy label
B

Options (at a surcharge)
Black glass back wall
Non-reflective glass
Adjustable feet
Wall bracket

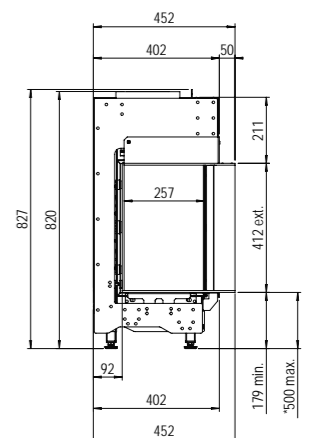
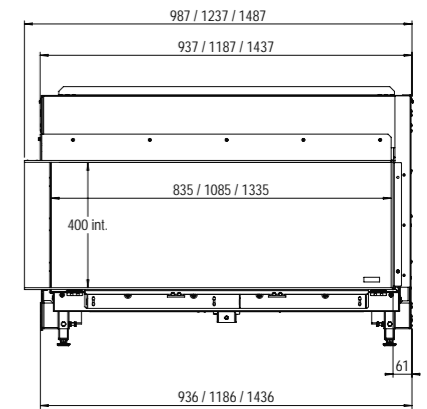
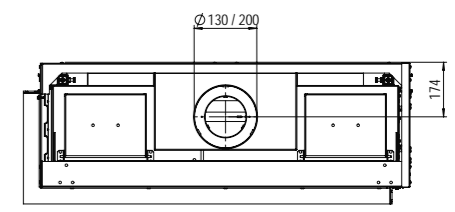
DECORATION OPTIONS



More product information?



Flue material
130/200

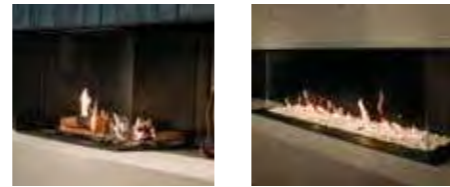


* incl. optional adjustable feet

MatriX | 1050/400 I



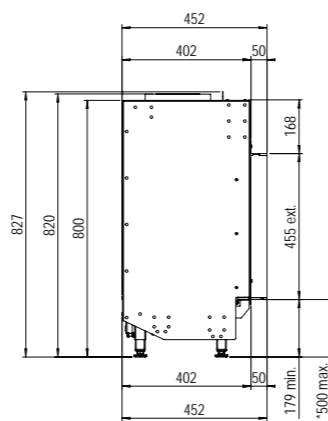
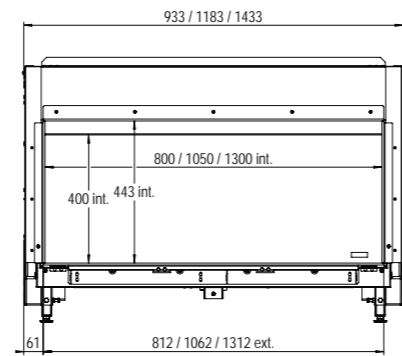
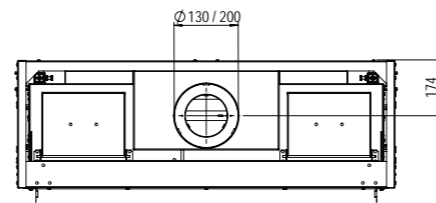
DECORATION OPTIONS



More product information?



Flue material
130/200



* incl. optional adjustable feet

Specifications

Exterior dimensions WxHxD in mm
1183 x 827 x 452

Fire display WxHxD in mm
1050 x 400

System
Double Line Burner

Decoration
Log set or White Pebble

Back walls
Back wall smooth steel

Remote
Via app and ITC Remote

Power
8,7 kW

Operating system
Honeywell

Energy label
A

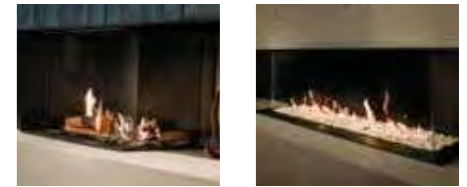
Options (at a surcharge)
Non-reflective glass
Black glass back wall
Adjustable feet
Wall bracket



MatriX | 1050/400 II



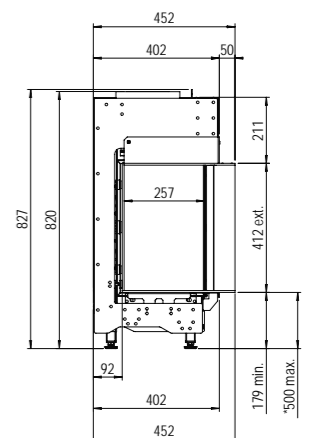
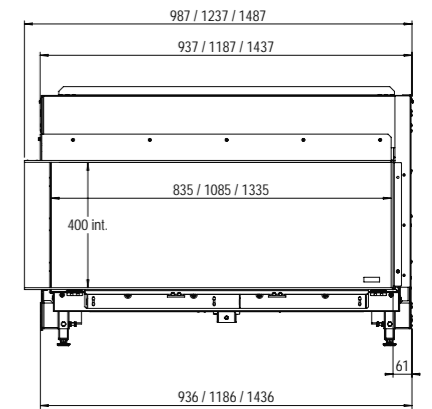
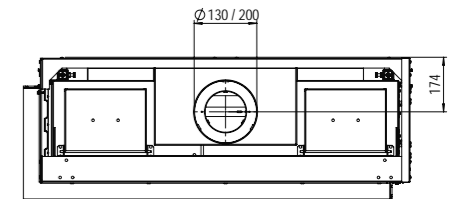
DECORATION OPTIONS



More product information?



Flue material
130/200



* incl. optional adjustable feet

Specifications

Exterior dimensions WxHxD in mm
1237 x 827 x 452

Fire display WxHxD in mm
1085 x 400 x 257

System
Double Line Burner

Decoration
Log set or White Pebble

Back walls
Back wall smooth steel

Remote
Via app and ITC Remote

Power
8,7 kW

Operating system
Honeywell

Energy label
A

Options (at a surcharge)
Non-reflective glass
Black glass back wall
Adjustable feet
Wall bracket



MatriX | 1050/400 III



Specifications

Exterior dimensions WxHxD in mm
1290 x 827 x 452

Fire display WxHxD in mm
1122 x 400 x 257

System
Double Line Burner

Decoration
Log set or White Pebble

Back walls
Back wall smooth steel

Remote
Via app and ITC Remote

Power
8,7 kW

Operating system
Honeywell

Energy label
A

Options (at a surcharge)
Non-reflective glass
Black glass back wall
Adjustable feet
Wall bracket

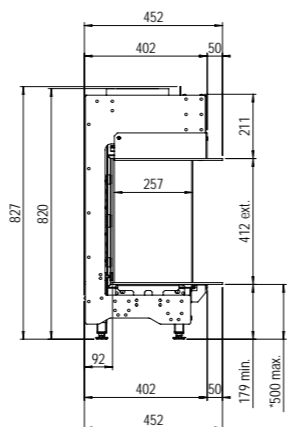
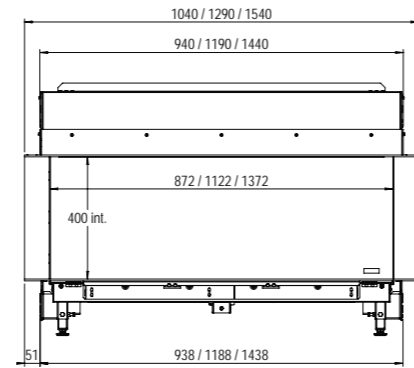
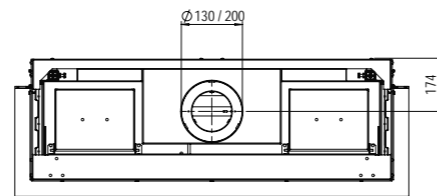
DECORATION OPTIONS



More product information?



Flue material
130/200



* incl. optional adjustable feet

MatriX | 1300/400 I



Specifications

Exterior dimensions WxHxD in mm
1433 x 827 x 452

Fire display WxHxD in mm
1300 x 400

System
Double Line Burner

Decoration
Log set or White Pebble

Back walls
Back wall smooth steel

Remote
Via app and ITC Remote

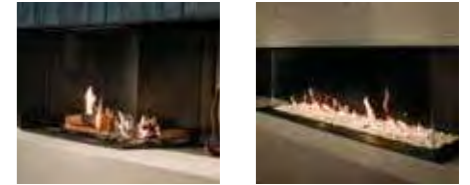
Power
10,5 kW

Operating system
Honeywell

Energy label
B

Options (at a surcharge)
Non-reflective glass
Black glass back wall
Adjustable feet
Wall bracket

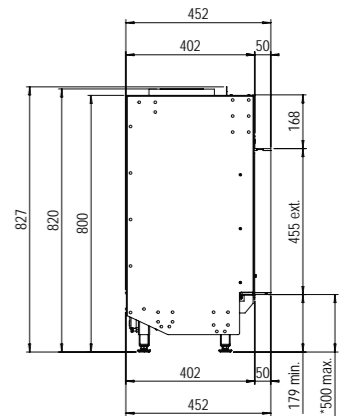
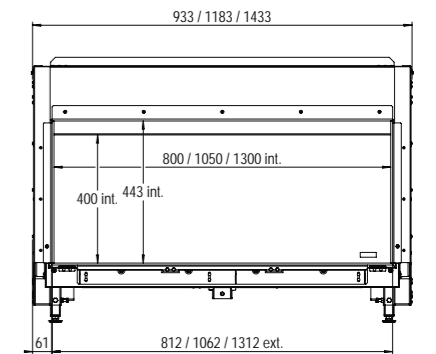
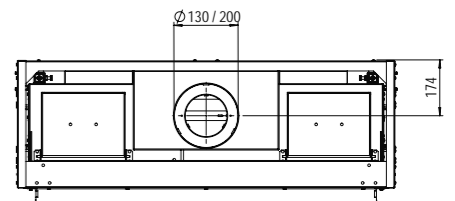
DECORATION OPTIONS



More product information?



Flue material
130/200



* incl. optional adjustable feet

MatriX | 1300/400 II



Specifications

Exterior dimensions WxHxD in mm
1487 x 827 x 452

Fire display WxHxD in mm
1335 x 400 x 257

System
Double Line Burner

Decoration
Log set or White Pebble

Back walls
Back wall smooth steel

Remote
Via app and ITC Remote

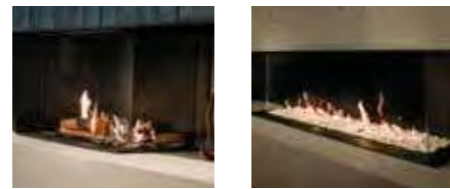
Power
10,5 kW

Operating system
Honeywell

Energy label
B

Options (at a surcharge)
Non-reflective glass
Black glass back wall
Adjustable feet
Wall bracket

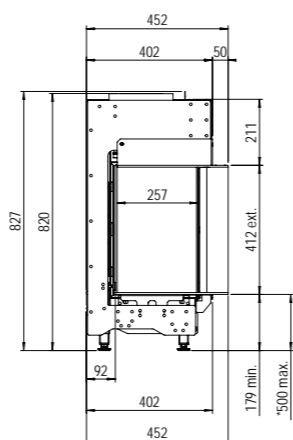
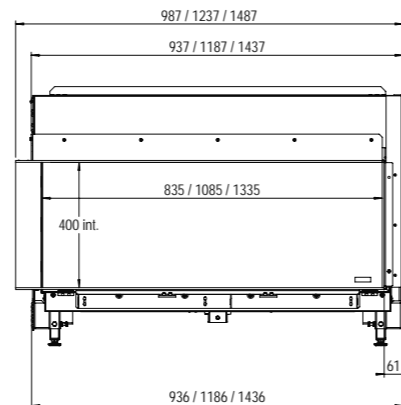
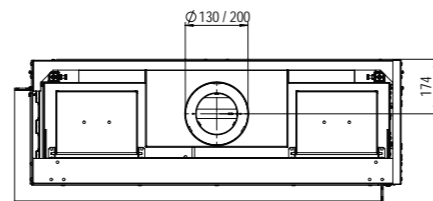
DECORATION OPTIONS



More product information?



Flue material
130/200



* incl. optional adjustable feet

MatriX | 1300/400 III



Specifications

Exterior dimensions WxHxD in mm
1540 x 827 x 452

Fire display WxHxD in mm
1372 x 400 x 257

System
Double Line Burner

Decoration
Log set or White Pebble

Back walls
Back wall smooth steel

Remote
Via app and ITC Remote

Power
10,5 kW

Operating system
Honeywell

Energy label
B

Options (at a surcharge)
Non-reflective glass
Black glass back wall
Adjustable feet
Wall bracket

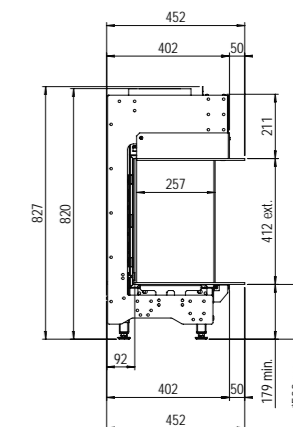
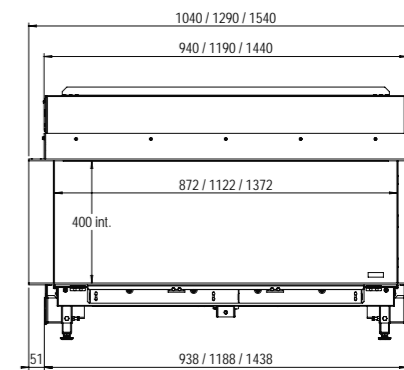
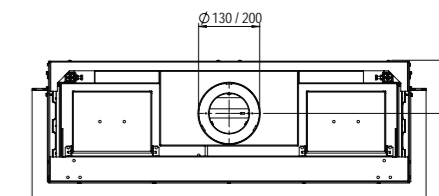
DECORATION OPTIONS



More product information?



Flue material
130/200



* incl. optional adjustable feet



Matrix



Matrix

The Matrix models are recognisable by their camp-fire design of logs. The fire effect of our Matrix fires is incredibly realistic at any flame height. Thanks to the various dimensions, models and options, the Matrix will meet extremely wide-ranging cosiness requirements.



Why opt for the Matrix:

- Plenty of choice in sizes and models; there is always a Matrix fire to suit your situation.
- With (optional) Symbio® ember bed lighting; for an even richer fire effect with an ember bed, even without the use of the flames,
- High flames with realistic ceramic logs in a traditional camp-fire design.
- 5 adjustable burners; with 2 settings for an extra deep and intense effect,
- Adjustable heat output; from maximum 10 to minimum 4 kW.
- Available in various sizes and as a front, 2 and 3-sided version, Room divider or See-through model.

Scan me



Discover!

In other words: a modern gas fire in a classic “camp-fire” design to offer a solution for every imaginable situation.

Matrix :

The all-rounder in a traditional camp-fire design

The Matrix models are recognisable by their camp-fire design of logs. The fire effect of our Matrix fires is incredibly realistic at any flame height. Thanks to the various dimensions, models and options, the Matrix will meet extremely wide-ranging cosiness requirements.

The burner - Faber Log Burner® 2.0

The Log Burner® 2.0 brings memories of a flickering camp fire to life in a fabulous way; with standing logs in the middle, surrounded by lying blocks. You can choose to have the fire burn just in the middle, or all around too. The fire starts up in just a few seconds and the height of the flames can be set with accuracy. The ember bed is lit from below by the ember bed lighting. It makes the fire look full and rich, with a warm glow, even when the flames are set low. The glow can also be switched on separately, like the last glowing embers of a fire. The main functions can be simply operated via the remote control supplied, or why not install the Faber App to operate your fire via your smartphone or tablet?

Symbio® ember bed lighting

Symbio® sends gently pulsating, heat-free light to the ember bed above, making it glow a warm red. The light of the Symbio® module creates a warm atmosphere, particularly when the flames of the fire are turned down low, and even when the warm flames are completely switched off. The LED lighting makes this module low in energy and completely free of heat.



Specifications

Exterior dimensions WxHxD in mm
690 x 927 x 502

Fire display WxHxD in mm
522 x 500 x 308

System
Log Burner 2.0

Decoration
Log set

Back walls
Back wall smooth steel

Remote
Symax

Power
6,8 kW

Operating system
Mertik

Energy label
A

Options (at a surcharge)
Symbio Module
Non-reflective glass
Black glass back wall
Adjustable feet
Wall bracket

DECORATION OPTIONS

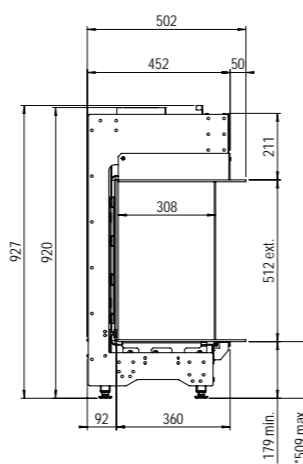
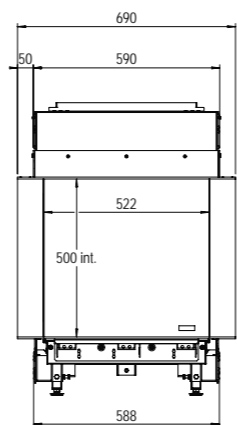
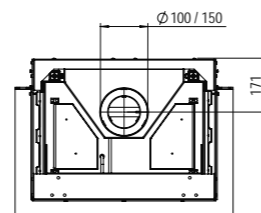


Symbio module

More product information?



Flue material
100/150



*Incl. optional adjustable feet



Specifications

Exterior dimensions WxHxD in mm
584 x 1077 x 497

Fire display WxHxD in mm
450 x 650

System
Log Burner 2.0

Decoration
Log set

Back walls
Back wall smooth steel

Remote
Symax

Power
6,8 kW

Operating system
Mertik

Energy label
A

Options (at a surcharge)
Symbio Module
Non-reflective glass
Black glass back wall
Adjustable feet
Wall bracket

DECORATION OPTIONS

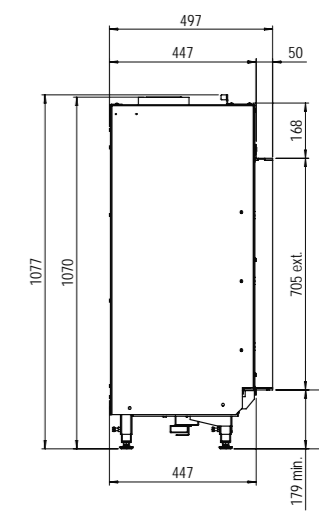
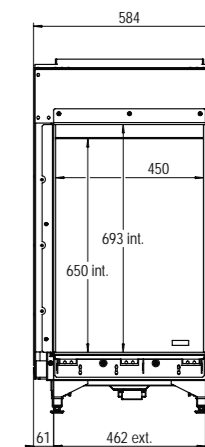
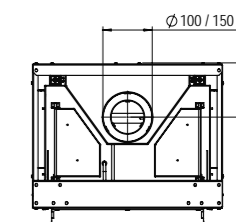


Symbio module

More product information?



Flue material
100/150



*Incl. optional adjustable feet



Specifications

Exterior dimensions WxHxD in mm
637 x 1077 x 502

Fire display WxHxD in mm
485 x 650 x 308

System
Log Burner 2.0

Decoration
Log set

Back walls
Back wall smooth steel

Remote
Symax

Power
6,8 kW

Operating system
Mertik

Energy label
A

Options (at a surcharge)
Symbio Module
Non-reflective glass
Black glass back wall
Adjustable feet
Wall bracket



DECORATION OPTIONS

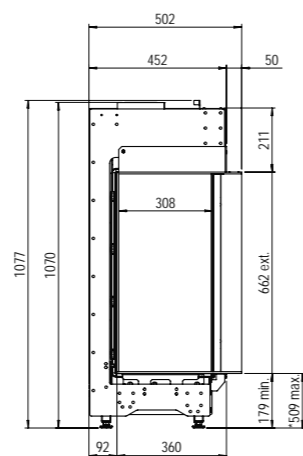
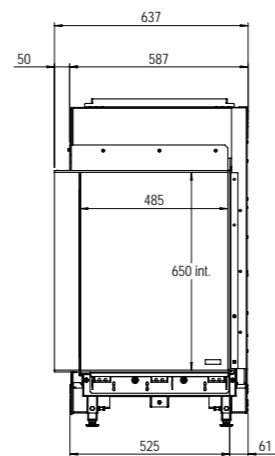
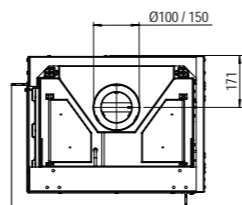


Symbio module

More product information?



Flue material
100/150



*Incl. optional adjustable feet



DECORATION OPTIONS

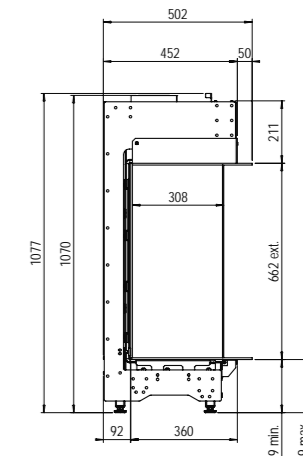
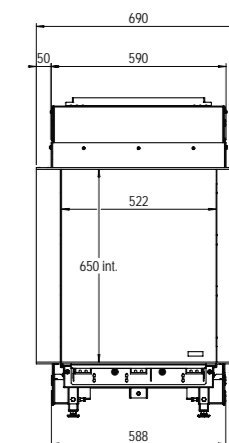
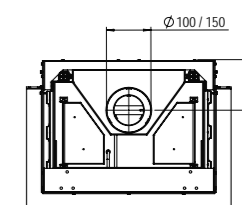


Symbio module

More product information?



Flue material
100/150



*Incl. optional adjustable feet

Specifications

Exterior dimensions WxHxD in mm
690 x 1077 x 502

Fire display WxHxD in mm
522 x 650 x 308

System
Log Burner 2.0

Decoration
Log set

Back walls
Back wall smooth steel

Remote
Symax

Power
6,8 kW

Operating system
Mertik

Energy label
A

Options (at a surcharge)
Symbio Module
Non-reflective glass
Black glass back wall
Adjustable feet
Wall bracket



Specifications

Exterior dimensions WxHxD in mm
943 x 1023 x 574

Fire display WxHxD in mm
800 x 500

System
Log Burner 2.0

Decoration
Log set

Back walls
Back wall smooth steel

Remote
ITC Remote

Power
8,1 kW

Operating system
Honeywell

Energy label
B

Options (at a surcharge)
Symbio Module
Non-reflective glass
Black glass back wall
Inset depth 30 mm
Inset depth 100 mm
Adjustable feet
Wall bracket

DECORATION OPTIONS

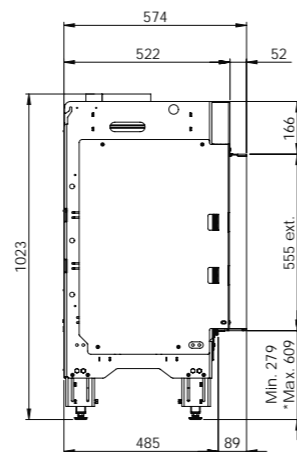
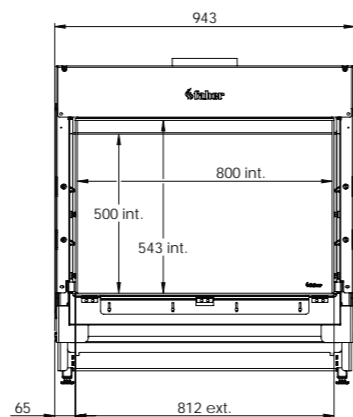
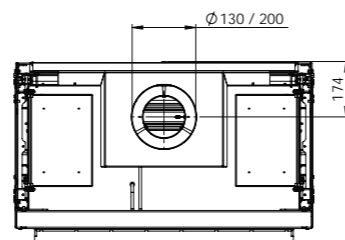


Symbio module

More product information?



Flue material
130/200



* Incl. optional adjustable feet



Specifications

Exterior dimensions WxHxD in mm
992 x 1023 x 574

Fire display WxHxD in mm
837 x 500 x 383

System
Log Burner 2.0

Decoration
Log set

Back walls
Back wall smooth steel

Remote
ITC Remote

Power
8,1 kW

Operating system
Honeywell

Energy label
B

Options (at a surcharge)
Symbio Module
Non-reflective glass
Black glass back wall
Inset depth 30 mm
Inset depth 100 mm
Adjustable feet
Wall bracket

DECORATION OPTIONS

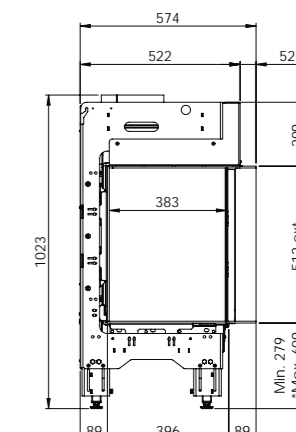
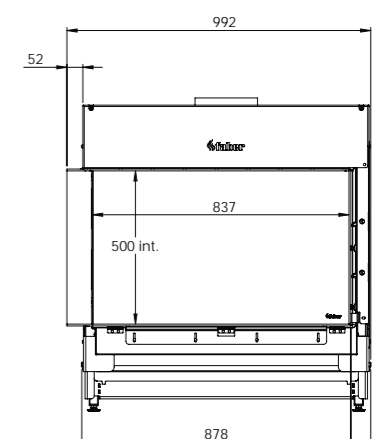
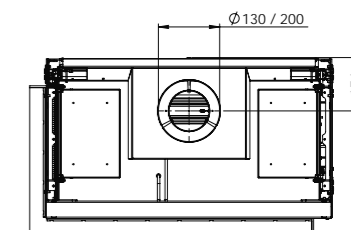


Symbio module

More product information?



Flue material
130/200



* Incl. optional adjustable feet



DECORATION OPTIONS

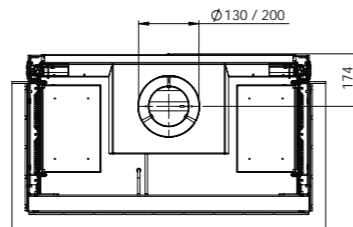


Symbio module

More product information?



Flue material
130/200



Specifications

Exterior dimensions WxHxD in mm
1040 x 1023 x 574

Fire display WxHxD in mm
872 x 500 x 383

System
Log Burner 2.0

Decoration
Log set

Back walls
Back wall smooth steel

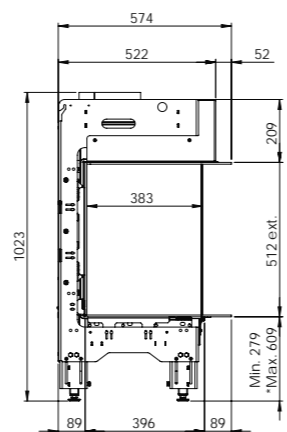
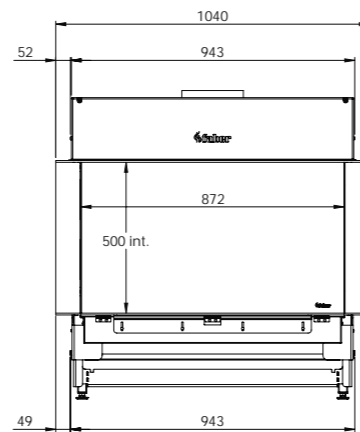
Remote
ITC Remote

Power
8,1 kW

Operating system
Honeywell

Energy label
B

Options (at a surcharge)
Symbio Module
Non-reflective glass
Black glass back wall
Inset depth 30 mm
Inset depth 100 mm
Adjustable feet
Wall bracket



* Incl. optional adjustable feet



DECORATION OPTIONS

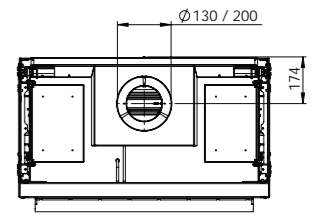


Symbio module

More product information?



Flue material
130/200



Specifications

Exterior dimensions WxHxD in mm
943 x 1175 x 574

Fire display WxHxD in mm
800 x 650

System
Log Burner 2.0

Decoration
Log set

Back walls
Back wall smooth steel

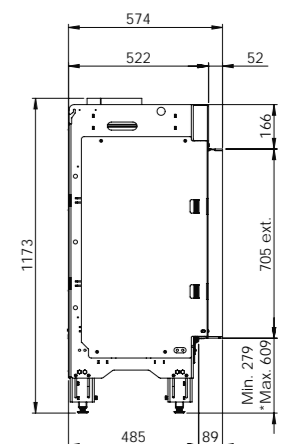
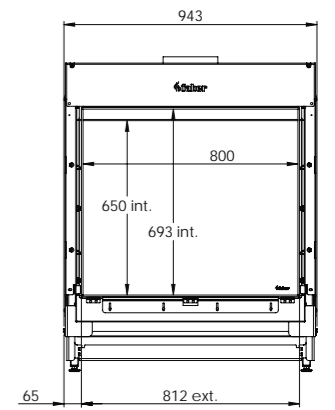
Remote
ITC Remote

Power
10,0 kW

Operating system
Honeywell

Energy label
B

Options (at a surcharge)
Symbio Module
Non-reflective glass
Black glass back wall
Inset depth 30 mm
Inset depth 100 mm
Adjustable feet
Wall bracket



* Incl. optional adjustable feet



Specifications

Exterior dimensions WxHxD in mm
992 x 1173 x 574

Fire display WxHxD in mm
837 x 650 x 383

System
Log Burner 2.0

Decoration
Log set

Back walls
Back wall smooth steel

Remote
ITC Remote

Power
10,0 kW

Operating system
Honeywell

Energy label
B

Options (at a surcharge)
Symbio Module
Non-reflective glass
Black glass back wall
Inset depth 30 mm
Inset depth 100 mm
Adjustable feet
Wall bracket

DECORATION OPTIONS

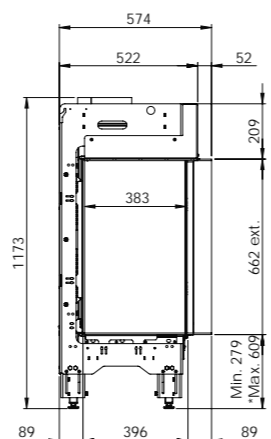
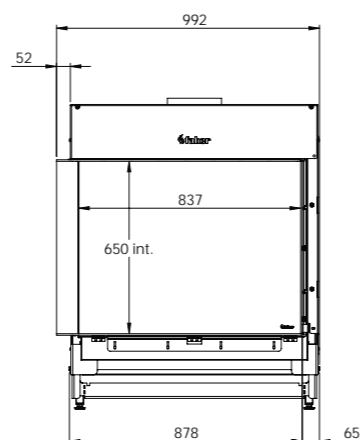
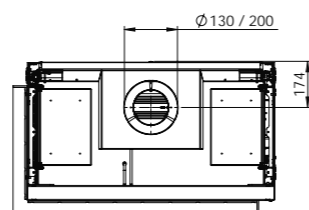


Symbio module

More product information?



Flue material
130/200



* Incl. optional adjustable feet



Specifications

Exterior dimensions WxHxD in mm
1040 x 1173 x 574

Fire display WxHxD in mm
872 x 650 x 383

System
Log Burner 2.0

Decoration
Log set

Back walls
Back wall smooth steel

Remote
ITC Remote

Power
10,0 kW

Operating system
Honeywell

Energy label
B

Options (at a surcharge)
Symbio Module
Non-reflective glass
Black glass back wall
Inset depth 30 mm
Inset depth 100 mm
Adjustable feet
Wall bracket

DECORATION OPTIONS

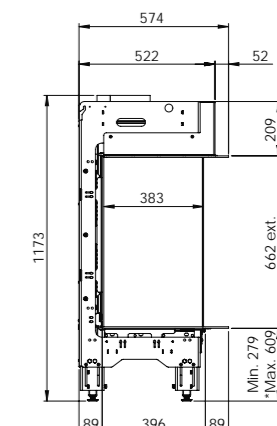
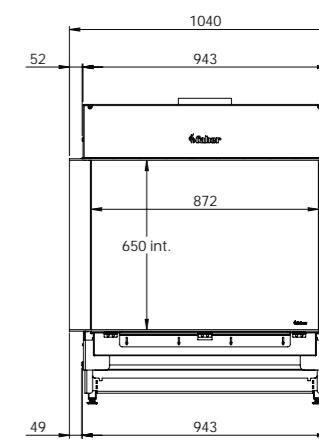
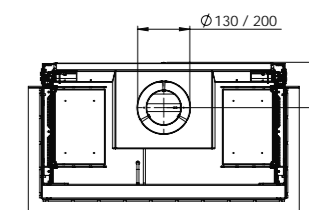


Symbio module

More product information?



Flue material
130/200



* Incl. optional adjustable feet



DECORATION OPTIONS

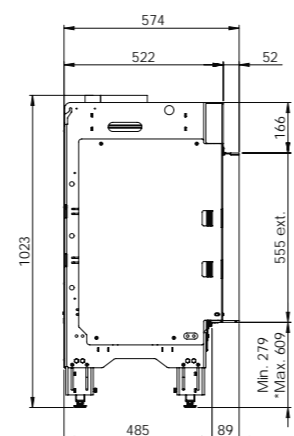
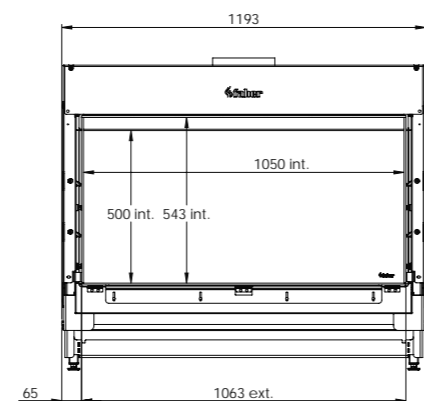
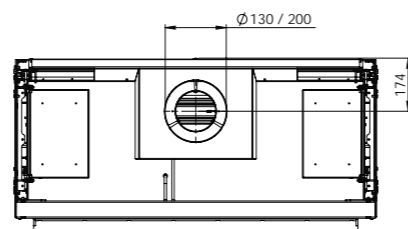


Symbio module

More product information?



Flue material
130/200



* Incl. optional adjustable feet



Specifications

Exterior dimensions WxHxD in mm
1193 x 1023 x 574

Fire display WxHxD in mm
1050 x 500

System
Log Burner 2.0

Decoration
Log set

Back walls
Back wall smooth steel

Remote
ITC Remote

Power
8,1 kW

Operating system
Honeywell

Energy label
B

Options (at a surcharge)
Symbio Module
Non-reflective glass
Black glass back wall
Inset depth 30 mm
Inset depth 100 mm
Adjustable feet
Wall bracket



DECORATION OPTIONS

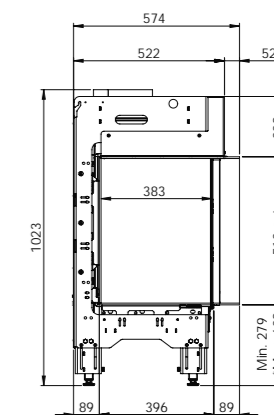
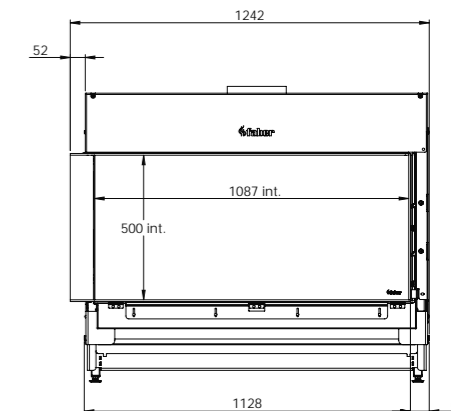
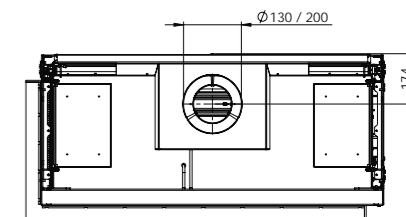


Symbio module

More product information?



Flue material
130/200



* Incl. optional adjustable feet



Specifications

Exterior dimensions WxHxD in mm
1242 x 1023 x 574

Fire display WxHxD in mm
1087 x 500 x 383

System
Log Burner 2.0

Decoration
Log set

Back walls
Back wall smooth steel

Remote
ITC Remote

Power
8,1 kW

Operating system
Honeywell

Energy label
B

Options (at a surcharge)
Symbio Module
Non-reflective glass
Black glass back wall
Inset depth 30 mm
Inset depth 100 mm
Adjustable feet
Wall bracket





Specifications

Exterior dimensions WxHxD in mm
1290 x 1023 x 574

Fire display WxHxD in mm
1122 x 500 x 383

System
Log Burner 2.0

Decoration
Log set

Back walls
Back wall smooth steel

Remote
ITC Remote

Power
8,1 kW

Operating system
Honeywell

Energy label
B

Options (at a surcharge)
Symbio Module
Non-reflective glass
Black glass back wall
Inset depth 30 mm
Inset depth 100 mm
Adjustable feet
Wall bracket

DECORATION OPTIONS

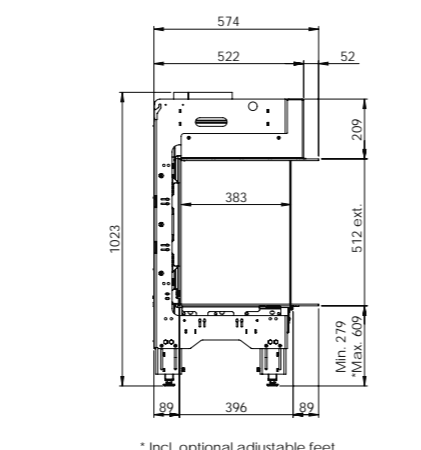
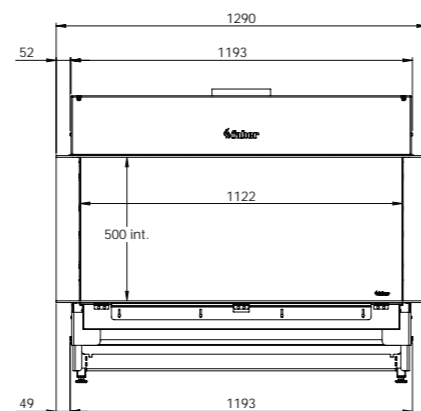
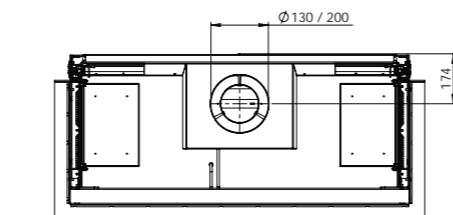


Symbio module

More product information?



Flue material
130/200



* Incl. optional adjustable feet



Specifications

Exterior dimensions WxHxD in mm
1193 x 1173 x 574

Fire display WxHxD in mm
1050 x 650

System
Log Burner 2.0

Decoration
Log set

Back walls
Back wall smooth steel

Remote
ITC Remote

Power
10,0 kW

Operating system
Honeywell

Energy label
B

Options (at a surcharge)
Symbio Module
Non-reflective glass
Black glass back wall
Inset depth 30 mm
Inset depth 100 mm
Adjustable feet
Wall bracket

DECORATION OPTIONS

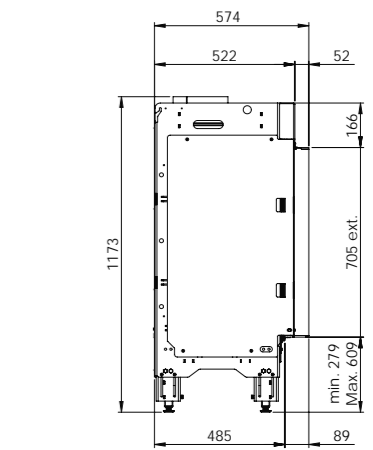
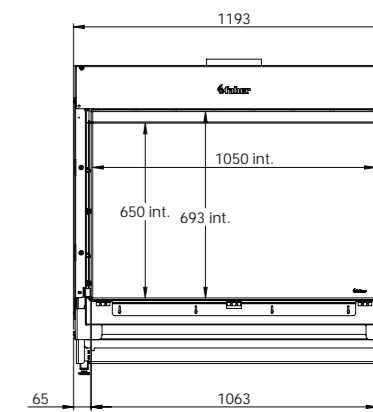
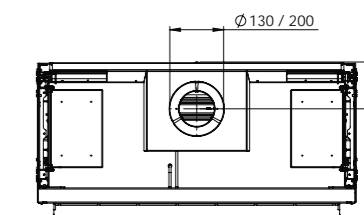


Symbio module

More product information?



Flue material
130/200



* Incl. optional adjustable feet



Specifications

Exterior dimensions WxHxD in mm
1242 x 1173 x 574

Fire display WxHxD in mm
1087 x 650 x 383

System
Log Burner 2.0

Decoration
Log set

Back walls
Back wall smooth steel

Remote
ITC Remote

Power
10,0 kW

Operating system
Honeywell

Energy label
B

Options (at a surcharge)
Symbio Module
Non-reflective glass
Black glass back wall
Inset depth 30 mm
Inset depth 100 mm
Adjustable feet
Wall bracket

DECORATION OPTIONS

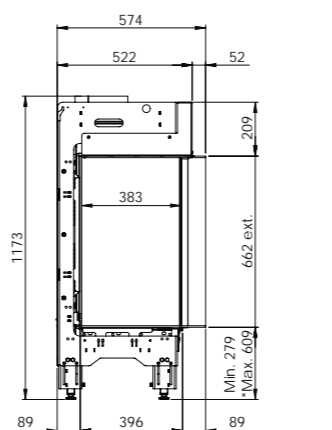
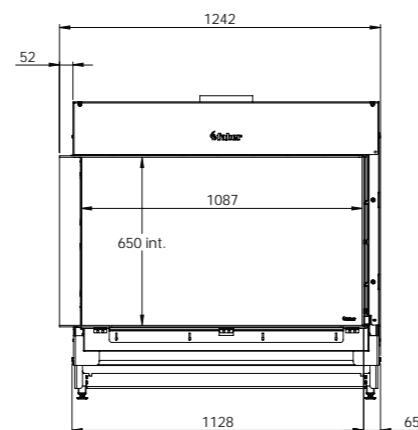
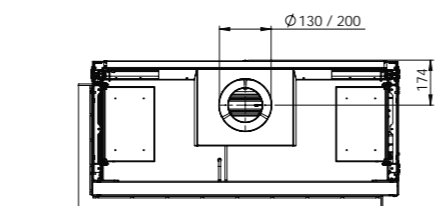


Symbio module

More product information?



Flue material
130/200



* Incl. optional adjustable feet



Specifications

Exterior dimensions WxHxD in mm
1290 x 1173 x 574

Fire display WxHxD in mm
1122 x 650 x 383

System
Log Burner 2.0

Decoration
Log set

Back walls
Back wall smooth steel

Remote
ITC Remote

Power
10,0 kW

Operating system
Honeywell

Energy label
B

Options (at a surcharge)
Symbio Module
Non-reflective glass
Black glass back wall
Inset depth 30 mm
Inset depth 100 mm
Adjustable feet
Wall bracket

DECORATION OPTIONS

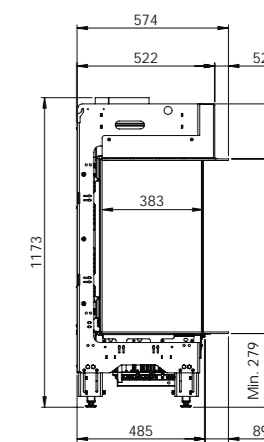
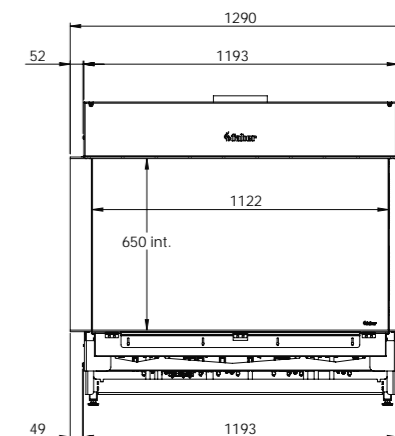
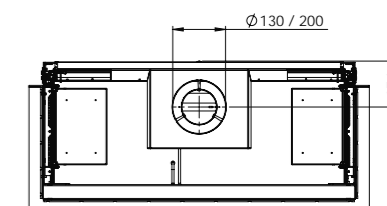


Symbio module

More product information?



Flue material
130/200



* Incl. optional adjustable feet



Built-in

Faber built-in gas fires are a statement in themselves. First and foremost because of a fabulously burning fire and the most beautiful finish with life-like decorative logs or modern pebbles. In addition because of the top-quality choice of materials that guarantee years of safe and problem-free enjoyment. Particularly when you operate the fire remotely with a control unit or from your own smartphone.

Faber gas fires are available in a surprising number of versions, dimensions and finishes so you can choose what is best suited to your taste and interior decoration. The Faber specialist is there for you throughout the entire process!

Did you find your favourite Faber fire? It will be built, set and tested by Faber, specifically for you, before we deliver it to the Faber specialist who will install it in your home.

There is **so much to tell...**



The heart of every Faber fire

Built-in burners

Emberbed Burner - Sparkling fire

The Faber Emberbed Burner produces a compact, yet crackling fire. You can choose to combine the flames with horizontal decorative logs on a bed of ash and amber-coloured stones that enhance the flames' light or with white Carrara pebbles as an alternative. The height of the flames can be set accurately with the supplied remote control. The supplied remote control also has a convenient day timer and thermostat function.

Flat Burner® - Rich, full flames

A Faber Flat Burner fills almost the entire fire with flames that look full and rich at any flame height over almost the entire width of the fire. You can choose decorative materials, including realistic, horizontal logs or white Carrara pebbles. The height of the flames can be set accurately with the supplied remote control. The supplied remote control also has a convenient timer and a thermostat function.

Step Burner® - Step-by-step control

The Faber Step Burner® enables you to enjoy a lush open fire with several pre-set modes (steps). At high capacity, the flames can be seen over the full width of the fire. At a lower position, the flames are concentrated closer to the middle. A next step will turn the flames down lower. Depending on the model, there is an optional choice of a bed of white Carrara pebbles alongside decoration with beautiful horizontal logs. The main functions of the fire are easy to operate with the standard remote control. Additional functions are available using the Faber app.



Specifications

Exterior dimensions WxHxD in mm
684 x 649 x 335

Fire display WxHxD in mm
598 x 350

System
Emberbed Burner

Decoration
Log set and White Pebble

Back walls
Back wall smooth steel

Remote
GV60

Power
4,5 kW

Operating system
Mertik

Energy label
B

Options (at a surcharge)
-

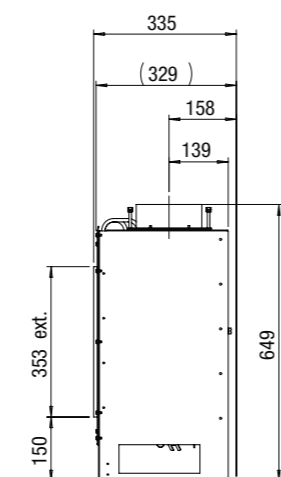
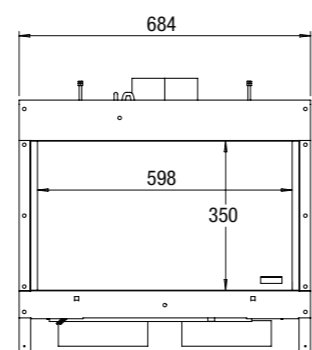
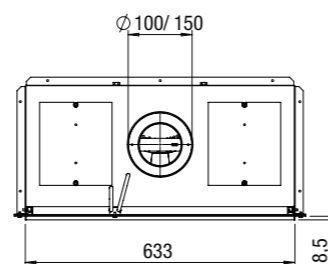
DECORATION OPTIONS



More product information?



Flue material
100/150



Specifications

Exterior dimensions WxHxD in mm
1143 x 720 x 369

Fire display WxHxD in mm
977 x 426

System
Flat Burner

Decoration
Log set

Back walls
Back wall smooth steel

Remote
GV60

Power
7,1 kW

Operating system
Mertik

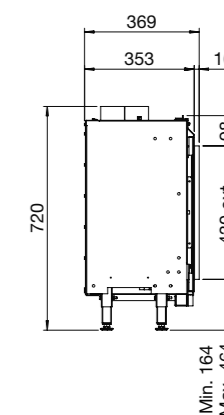
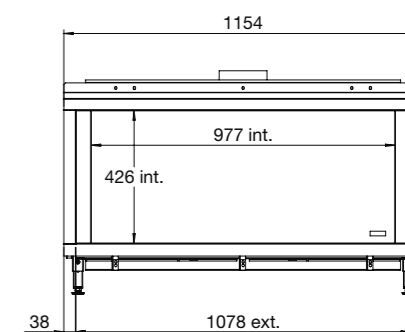
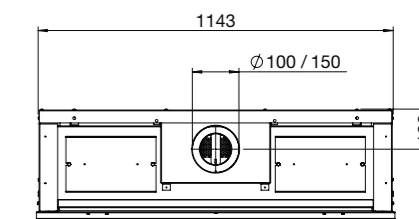
Energy label
B

Options (at a surcharge)
-

More product information?



Flue material
100/150



Smart Duet | M



Specifications

Exterior dimensions WxHxD in mm
786 x 791 x 504

Fire display WxHxD in mm
680 x 470 x 354

System
Flat Burner

Decoration
Log set

Back walls
Back wall smooth steel

Remote
GV60

Power
8,8 kW

Operating system
Mertik

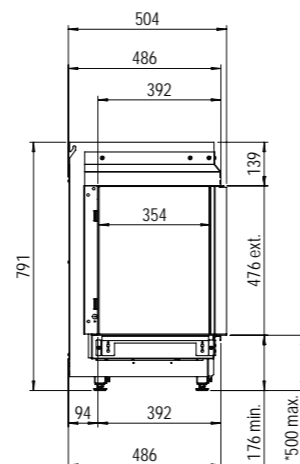
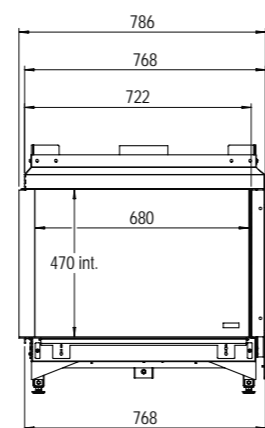
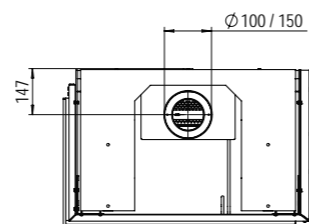
Energy label
B

Options (at a surcharge)
-

More product information?



Flue material
100/150



* Incl. optional adjustable feet

Smart Duet | L



Specifications

Exterior dimensions WxHxD in mm
1095 x 843 x 491

Fire display WxHxD in mm
994 x 393 x 331

System
Flat Burner

Decoration
Log set

Back walls
Back wall smooth steel

Remote
GV60

Power
9,2 kW

Operating system
Mertik

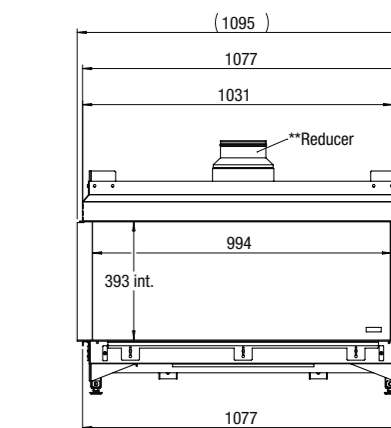
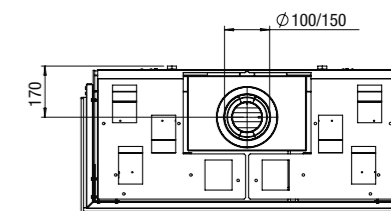
Energy label
B

Options (at a surcharge)
-

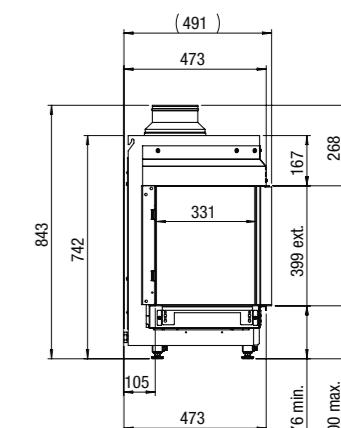
More product information?



Flue material
100/150



** Comes standard with the gas fire



* Incl. optional adjustable feet

Smart Triple | M



Specifications

Exterior dimensions WxHxD in mm
795 x 791 x 504

Fire display WxHxD in mm
692 x 470 x 354

System
Flat Burner

Decoration
Log set

Back walls
Back wall smooth steel

Remote
GV60

Power
8,8 kW

Operating system
Mertik

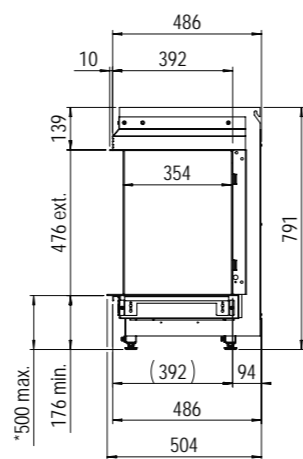
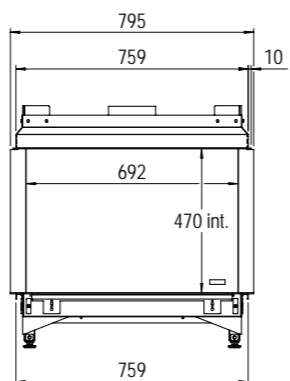
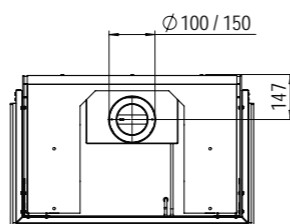
Energy label
B

Options (at a surcharge)
-

More product information?



Flue material
100/150



* Incl. optional adjustable feet

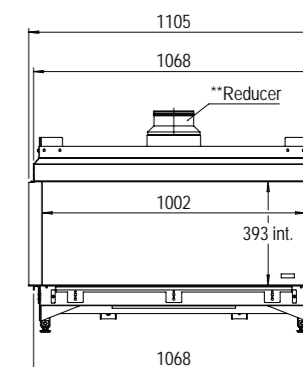
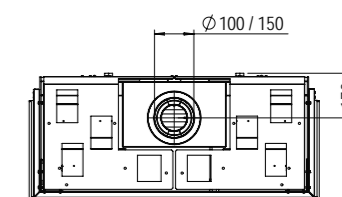
Smart Triple | L



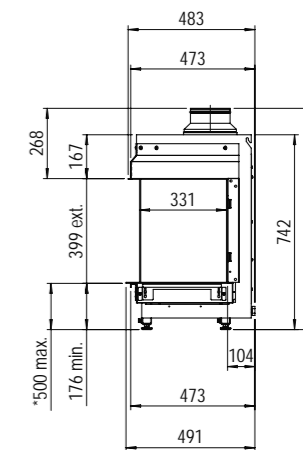
More product information?



Flue material
100/150



** Comes standard with the gas fire



* Incl. optional adjustable feet

Specifications

Exterior dimensions WxHxD in mm
1105 x 843 x 491

Fire display WxHxD in mm
1002 x 393 x 331

System
Flat Burner

Decoration
Log set

Back walls
Back wall smooth steel

Remote
GV60

Power
9,2 kW

Operating system
Mertik

Energy label
B

Options (at a surcharge)
-

Premium | Respect OC



Specifications

Exterior dimensions WxHxD in mm
1104 x 1114 x 427

Fire display WxHxD in mm
1006 x 395 x 288

System
Step Burner

Decoration
Log set or White Pebble

Back walls
Black glass back wall

Remote
Symax

Power
10,8 kW

Operating system
Mertik

Energy label
D

Options (at a surcharge)
-

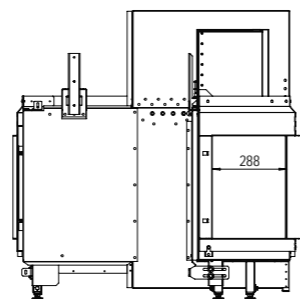
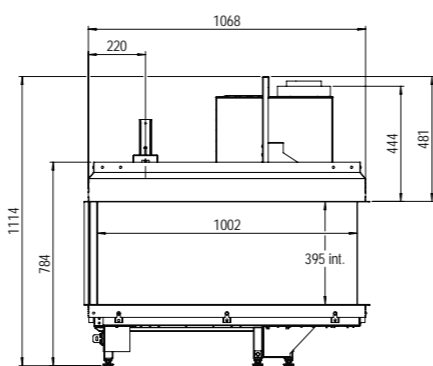
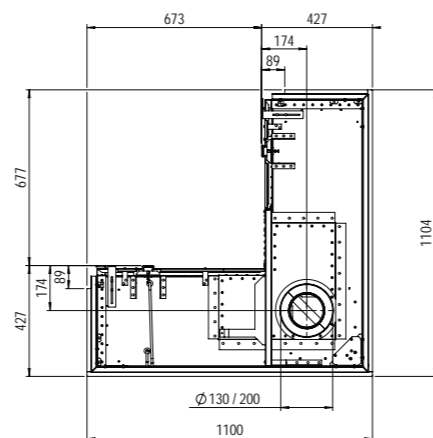
DECORATION OPTIONS



More product information?



Flue material
130/200



Premium | Aspect ST XL



Specifications

Exterior dimensions WxHxD in mm
1745 x 886 x 490

Fire display WxHxD in mm
1292 x 390

System
Step Burner

Decoration
Log set or White Pebble

Back walls
Back wall smooth steel

Remote
GV60

Power
10,9 kW

Operating system
Mertik

Energy label
B

Options (at a surcharge)
ITC App

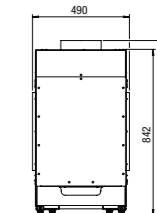
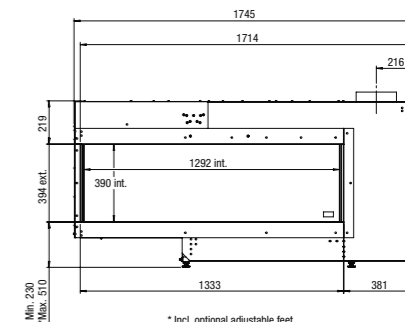
DECORATION OPTIONS



More product information?



Flue material
130/200





Freestanding

A freestanding fire is (often literally) the focal point of a room. A place to gather round! Obviously you simply expect the best in every respect. Faber freestanding fires are for demanding enthusiasts. The fire effect is comparable to that of our beloved gas inset fires; full flames at any height, decorated with lifelike decorative logs or white pebbles. Always simple to operate and equipped with the latest technology. The design impresses with its simplicity and careful finish and suits a range of interior designs.

Faber freestanding fires are available in different versions; standing or suspended, with standing or horizontal logs, with three-sided panes, or just a pane at the front. That means plenty of variations, and you can choose what suits your taste and interior. The Faber specialist is there for you throughout the entire process!

Did you find your favourite Faber fire? It will be built, set and tested by Faber, specifically for you, before we deliver it to the Faber specialist who will install it in your home.

There is **so much to tell...**



The heart of every Faber fire

Freestanding burners

Log Burner® - The 'original'

A Faber Log Burner gives you the fire of your memories or dreams - beautiful, lively flames that flicker along standing or lying logs. It is easy to control the height of the flames with the supplied remote control, which has a number of convenient additional functions. In the freestanding Faber Blokhus, the Log Burner is combined with the Faber Symbio® light module, which lights the ash bed from below and produces an extra warm glow, even when the flames are turned down low or the fire itself is switched off. The Faber Log Burner is a household name in the world of fires.

Emberbed Burner - Sparkling fire

The Faber Emberbed Burner produces a compact, yet crackling fire. You can choose to combine the flames with horizontal decorative logs on a bed of ash and amber-coloured stones that enhance the flames' light or with white Carrara pebbles as an alternative. The height of the flames can be set accurately with the supplied remote control. The supplied remote control also has a convenient day timer and thermostat function.



Specifications

Exterior dimensions WxHxD in mm
594 x 944 x 323

Fire display WxHxD in mm
450 x 501

System
Emberbed Burner

Decoration
Log set and White Pebble

Back walls
Back wall smooth steel

Remote
GV60

Power
4,2 kW

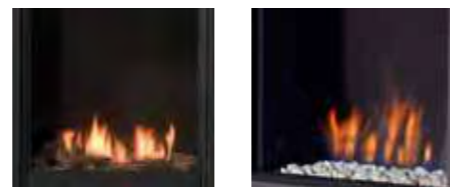
Operating system
Mertik

Energy label
A

Options (at a surcharge)
-



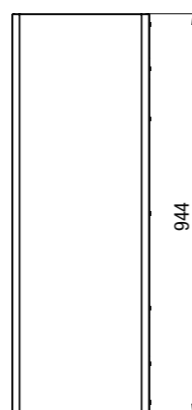
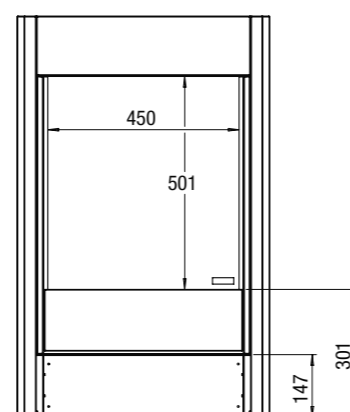
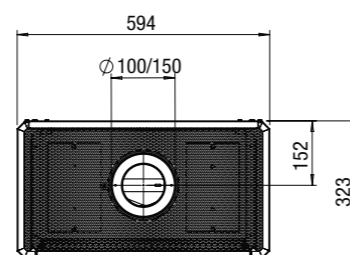
DECORATION OPTIONS



More product information?



Flue material
100/150



Specifications

Exterior dimensions WxHxD in mm
550 x 820 x 400

Fire display WxHxD in mm
460 x 335 x 250

System
Log Burner

Decoration
Log set

Back walls
Rear wall steel slats

Remote
GV60

Power
6,1 kW

Operating system
Mertik

Energy label
A

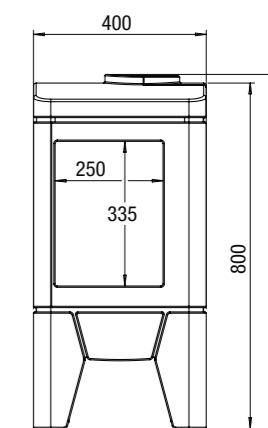
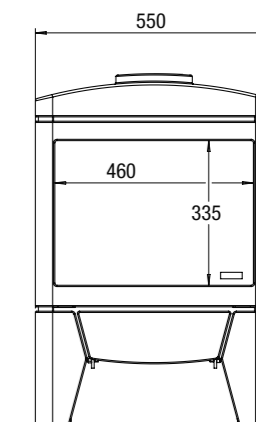
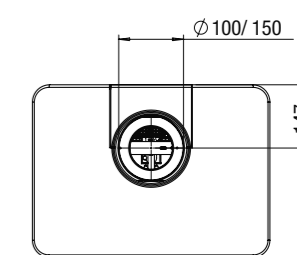
Options (at a surcharge)
-



More product information?



Flue material
100/150





Specifications

Exterior dimensions WxHxD in mm
560 x 980 x 400

Fire display WxHxD in mm
375 x 335 x 230

System
Log Burner

Decoration
Log set

Back walls
Rear wall steel slats

Remote
GV60

Power
6,1 kW

Operating system
Mertik

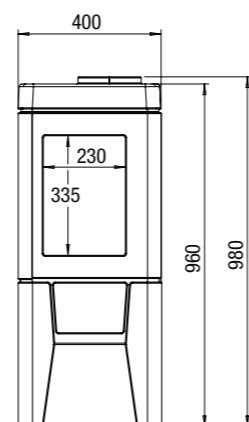
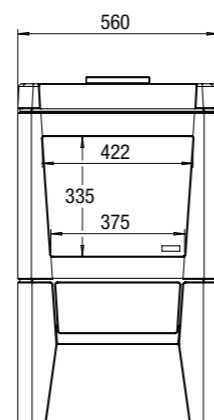
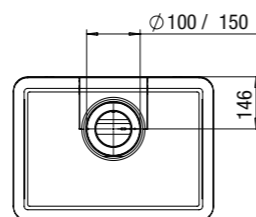
Energy label
A

Options (at a surcharge)
-

More product information?



Flue material
100/150



Specifications

Exterior dimensions WxHxD in mm
550 x 672 x 479

Fire display WxHxD in mm
460 x 335 x 250

System
Log Burner

Decoration
Log set

Back walls
Rear wall steel slats

Remote
GV60

Power
6,1 kW

Operating system
Mertik

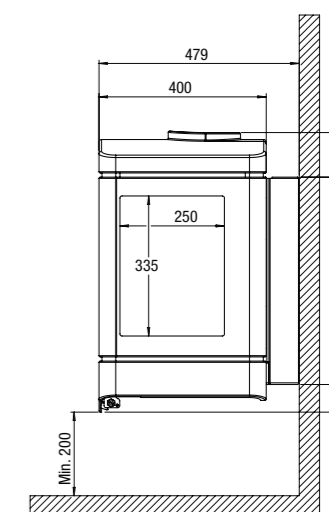
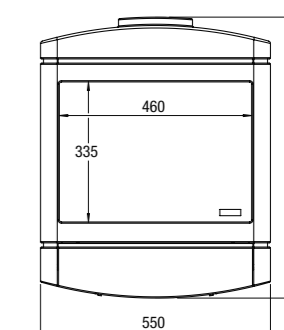
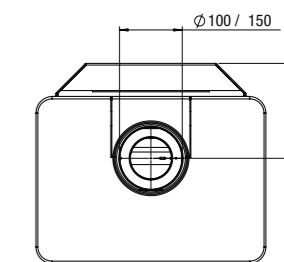
Energy label
A

Options (at a surcharge)
-

More product information?



Flue material
100/150



Vaska | Vaska Soapstone



Specifications

Exterior dimensions WxHxD in mm
472 x 1125 x 457

Fire display WxHxD in mm
323 x 422

System
Log Burner

Decoration
Log set

Back walls
Back wall smooth steel

Remote
GV60

Power
6,4 kW

Operating system
Mertik

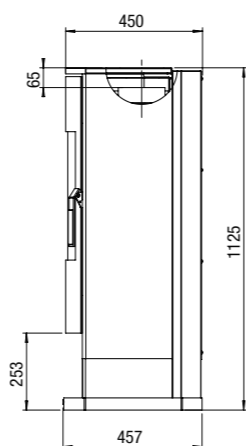
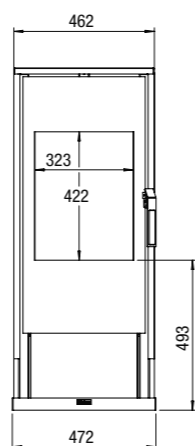
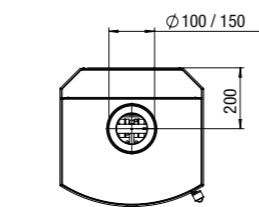
Energy label
A

Options (at a surcharge)
-

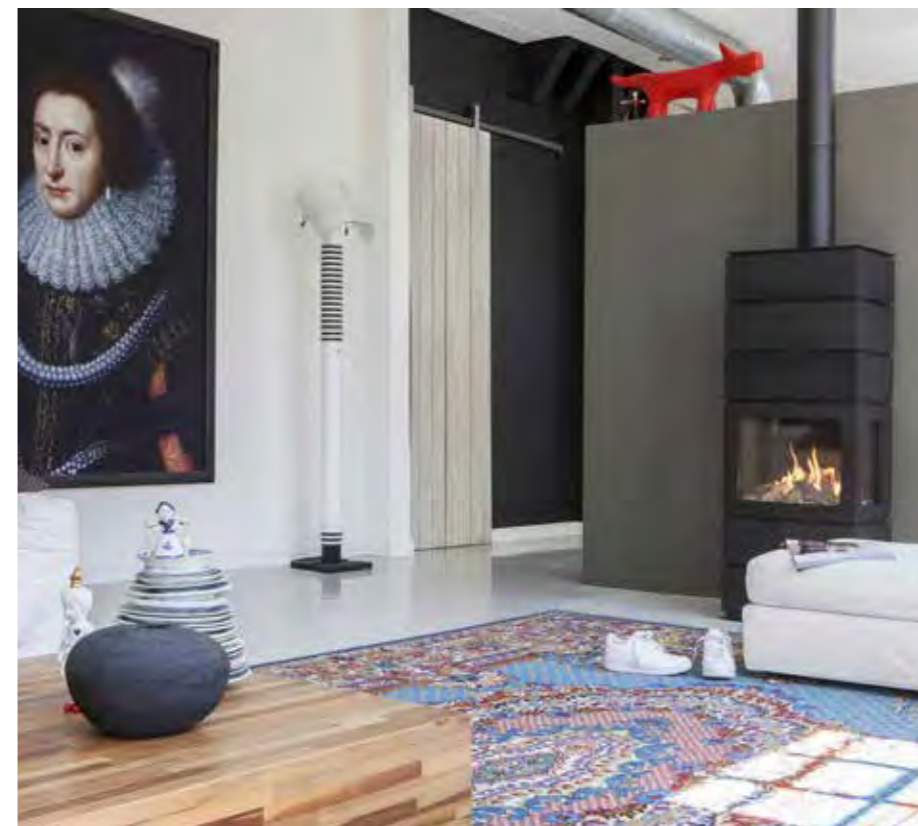
More product information?



Flue material
100/150



Blokhus |



Specifications

Exterior dimensions WxHxD in mm
560 x 1090 x 435

Fire display WxHxD in mm
435 x 330 x 247

System
Log Burner

Decoration
Log set

Verlichting
Symbio

Back walls
Rear wall steel slats

Remote
Symax

Power
6,1 kW

Operating system
Mertik

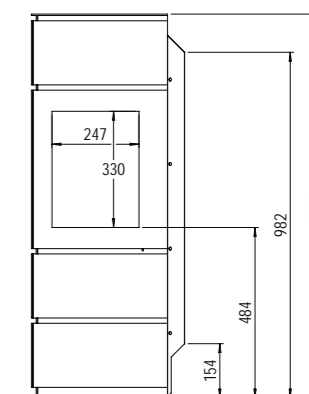
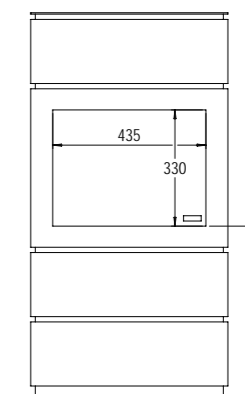
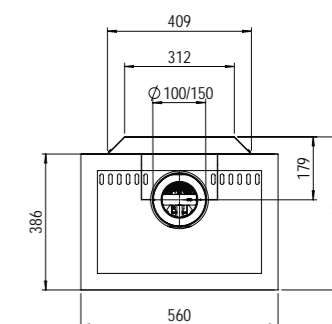
Energy label
A

Options (at a surcharge)
Single Module
Double Module
Rendement Module

More product information?



Flue material
100/150





Outdoor

Long summer evenings around a fire

You want to make as much use as you can of your beautiful garden or wonderful patio. Coffee with friends on a cool spring day, a garden party on a long summer evening, or a wonderful book on a lazy latesummer afternoon. An outdoor fire creates more atmosphere, produces comfortable radiating warmth so you can stay out much longer.

Faber outdoor fires enrich any patio or garden. First of all with the characteristic, lively Faber flames that you can see from all sides through the large glass surface. Flames that are designed with Faber's craftsmanship and quality, appreciated so much by those who love our inset fires. The designs speak of considered simplicity and class, never dominate, but are there to be admired at any time.

Faber outdoor fires work on gas and have automatic ignition, so operation requires little attention and the fires work without any hint of a smell. With the optional gas socket, you can also connect the fire to a permanent gas connection, making the fire even easier to use. That is how you get more from your garden or patio with a Faber outdoor fire!

 **faber**



theBUZZ | Black / Corten



DECORATION OPTIONS



More product information?



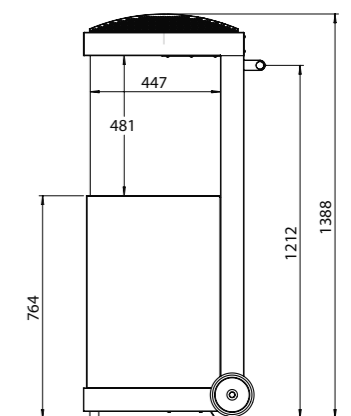
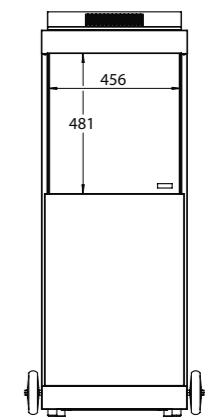
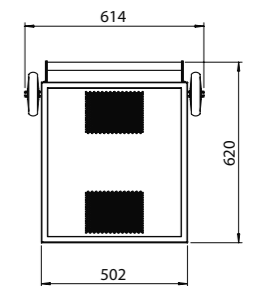
Specifications

Exterior dimensions WxHxD in mm
612 x 1388 x 620

Fire display WxHxD in mm
456 x 481 x 447

Decoration
Log set

Options (at a surcharge)
Adapter outdoor gas



The Faber app

For perfect control

With the Faber App you can control the functions and settings of an (e-)MatriX fire. The Faber App is suitable for the end user, but also for a fire specialist or service engineer. Optimum control from the screen of your own tablet or telephone. With the Faber App, a specialist has a clear overview of the technical heart of an (e-)MatriX fire. Clear diagnostic messages mean that possible faults and non-conformities have been detected and are described already. With current measured values at a glance. That is how the Faber App contributes to rapid fault detection and efficient service provision. The app also ensures that a user is reminded of the need for a periodic service on time, and is even given the contact details. In other words: the Faber App is an essential installation, service and repairs tool for professionals too.

The most important functions per level:

'User' level

(access without a code)

- Thermostat and energy-saving functions
- Weekly programming
- Flame and LED optics
- Mood settings (e.g. Relaxed, Eco or a personal setting)
- Consumption statistics (in m3 or kWh)
- Personal user settings
- Give the fire a name
- Energy-saving functions, such as:
 - Maximum room temperature (gas)
 - Automatic switch-off time
 - Open window/door detection (gas)
 - Calibration with home thermostat (gas)

'Dealer' level

- Diagnostic readings, with explanation of the error message
- You can record your own company data in every fireplace you install.
- The user will automatically receive a notification via the App when maintenance is required, together with the dealer contact details
- Code search
- Rapid reset function
- Test mode
- Read and calibrate burner pressure (gas)
- Read out current (gas) measured values, such as:
 - Ionisation and burner pressure
 - Error codes
 - Report for periodic maintenance

'Expert' level (protected with access code)

This level contains the settings of the gas or electrical part and more diagnostics tools. The access code for this level is only provided following additional training by Faber (Glen Dimplex). Furthermore, an annual refresher is compulsory. If you are interested, please ask about the options.





Hydrogen

the future



Some countries have already started mixing hydrogen and natural gas. That will become increasingly common in the future. Research has already proven all current Faber gas fires to be suitable for such a hydrogen mix. In other words: Faber is ready for the future.

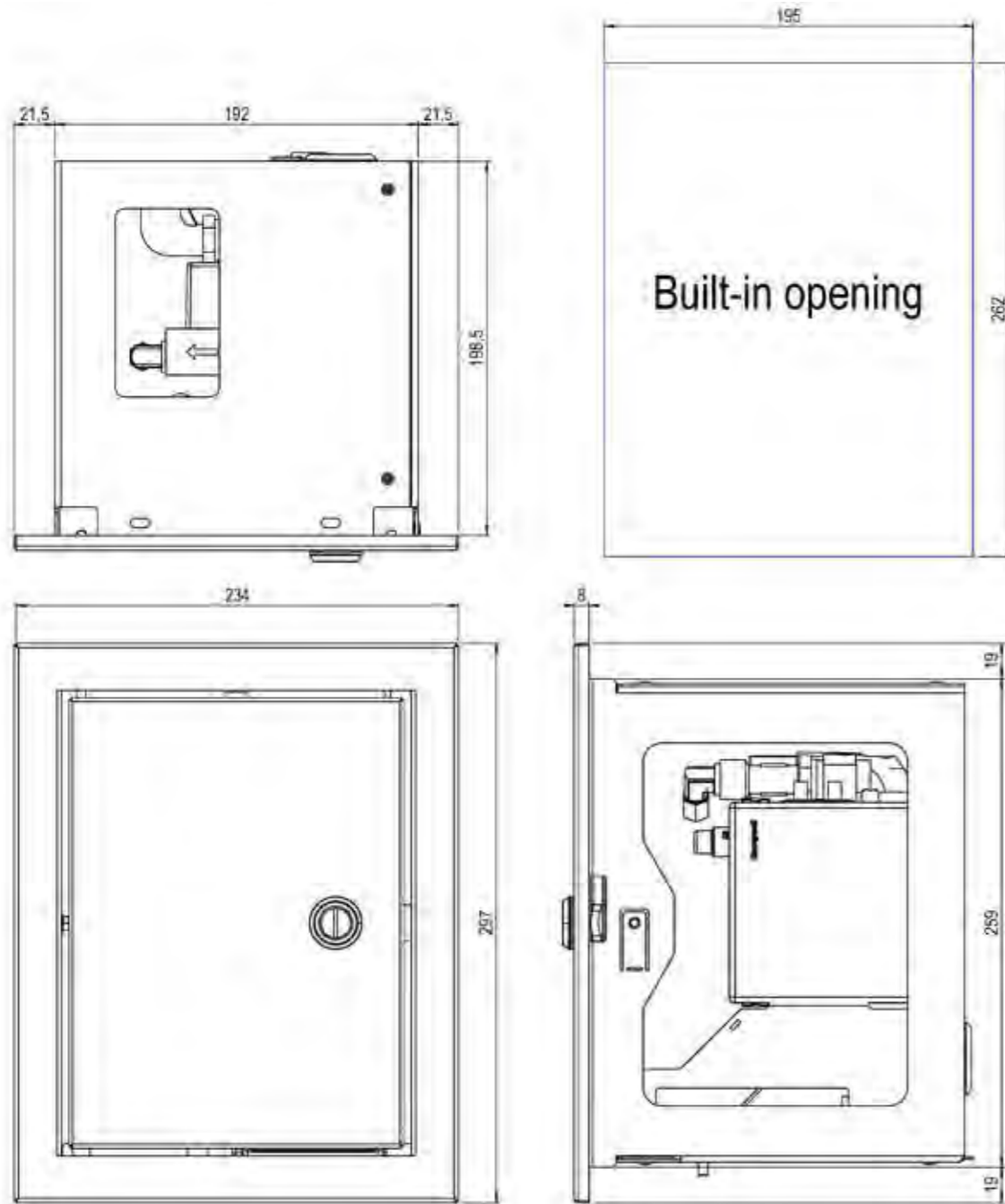
Would you like to know more about the possibilities of hydrogen admixture?
Check out the Faber website: [faberfires.com](https://www.faberfires.com).

No natural gas connection

but you'd love a gas fire? No problem!

You no longer have a permanent gas connection or you'd rather not be dependent on one, but you'd still like a gas fire in your home? No problem! All Faber gas fires are suitable immediately for use on propane gas or (bio)propane gas. The gas does not come via the gas pipe to the gas fire, but through smartly connected gas bottles. If you would like to find out more about the options of propane or biopropane, please take a look at the Faber website at: [faberfires.com](https://www.faberfires.com).

Below you will find the dimensions of the installation box for the Honeywell system.



This publication has been made by us with the utmost care. All information in this document may have been misrepresented, modified or supplemented in the meantime. Interim changes are reserved. While supplies last. Glen Dimplex is not responsible for the consequences of actions, decisions or results made solely on the basis of the information contained in this publication. We emphasize that for proper and safe installation and operation, the expertise and advice of an expert must always be obtained and followed, and applicable rules and regulations must always be followed. Our terms of delivery apply to this document and are available on request. Glen Dimplex Benelux, EU Flame, PO Box 210, NL-8448 AE, Heerenveen, The Netherlands

Proud brand of:



Saturnus 8, NL-8448 CC Heerenveen
PO Box 219, NL-8440 AE Heerenveen

t +31 513 656 500
e info@faberfires.com

@faber_fires



FaberInternational

